

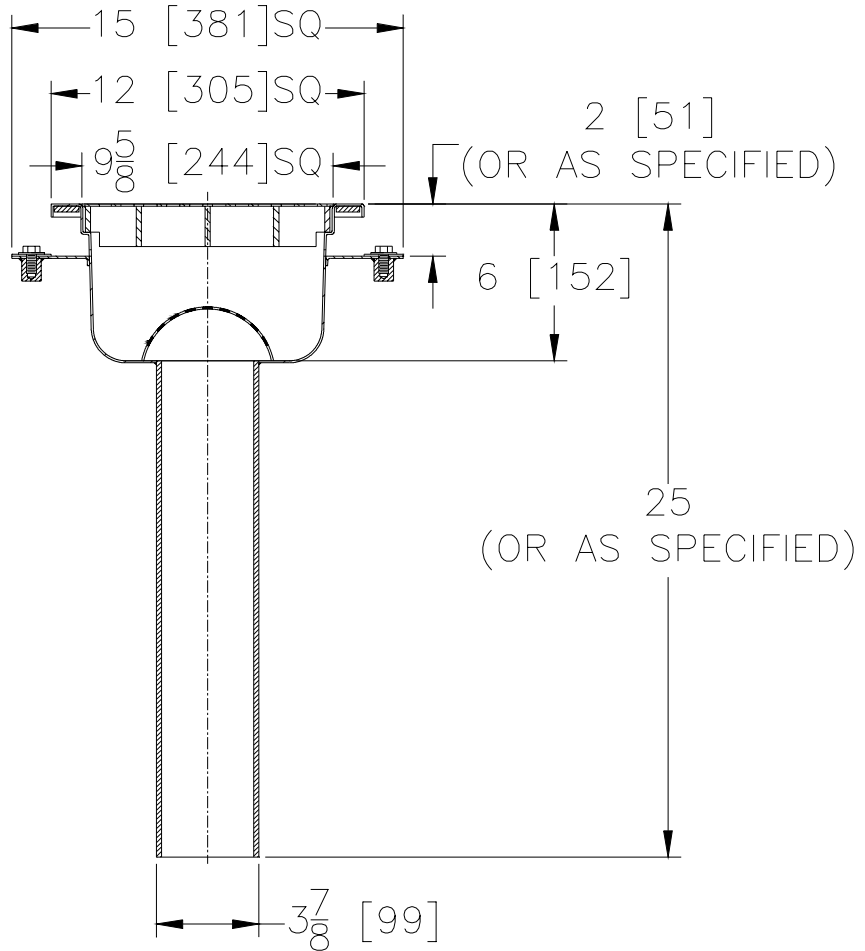


# Z-1750-126

## 12[305] x 12[305] SANI-FLOR RECEPTOR 6[152] Sump Depth

SPECIFICATION SHEET  
**TAG** \_\_\_\_\_

Dimensional Data (inches and [ mm ]) are Subject to Manufacturing Tolerances and Change Without Notice



Approx. Wt. Lbs.	Grate Open Area Sq. In.
18[9]	23[148]

**ENGINEERING SPECIFICATION:** ZURN Z-1750-126 12[305]x12[305]x6[152] deep, 14 gage, All Type 304 (CF8) Stainless Steel light duty Sani-Flor receptor with non-tilt, loose set extra heavy duty grate with 1/2[13] square openings, anchor flange with weep holes and clamp collar, and anti-splash interior dome strainer.

**OPTIONS** (Check/specify appropriate options)

**PREFIXES**

- \_\_\_ Z- Type 304 (CF8) Stainless Steel Body\*
- \_\_\_ ZM- Type 316 (CF8M) Stainless Steel

**SUFFIXES**

- \_\_\_ -P 1/2[13] Trap Primer Connection
- \_\_\_ -Y Sediment Bucket
- \_\_\_ -YS Suspended Sediment Bucket
- \_\_\_ -1 (Less) Grate
- \_\_\_ -2 1/2[13] Grate
- \_\_\_ -3 3/4[19] Grate
- \_\_\_ -4 Full Grate With 3[76] Square Opening
- \_\_\_ -5 Grate w/4[100] dia. x 3 3/4[95] High Funnel
- \_\_\_ -8 Grate w/8 3/8[213] x 3 5/8[92] x 3 3/4[95] oval funnel
- \_\_\_ -15 Solid Cover
- \_\_\_ -16 1/2 Solid Cover
- \_\_\_ -17 3/4 Solid Cover
- \_\_\_ -18 Solid Cover With 3[76] Square Center Opening

\*REGULARLY FURNISHED UNLESS OTHERWISE SPECIFIED

<b>REV.</b>	<b>DATE: 4/3/02</b>	<b>C.N. NO. 88415</b>
<b>DWG. NO. P-14886</b>		<b>PRODUCT NO. Z-1750-126</b>