



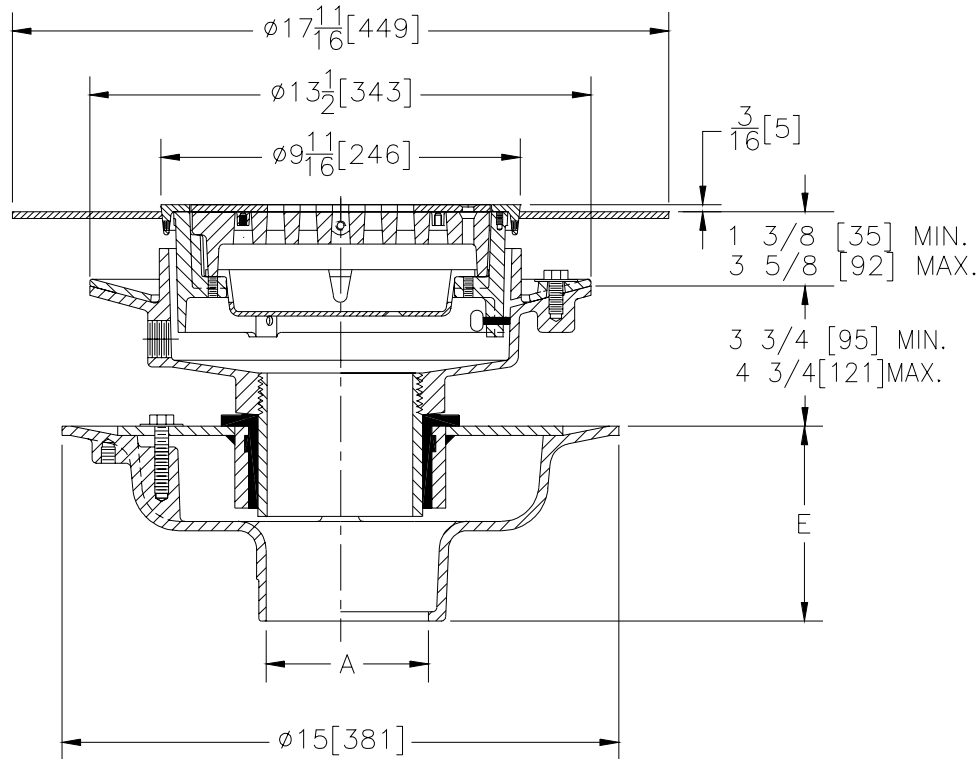
Z-627-78

ISOLATION DECK ADJUSTABLE HEAVY DUTY DRAIN

SPECIFICATION SHEET

TAG _____

Dimensional Data (inches and [mm]) are Subject to Manufacturing Tolerances and Change Without Notice



A- Pipe Size In.	Approx. Wt. Lbs. [kg]	Grate Open Area Sq. In. [cm ²]
2-3-4 [50-75-100]	70 [32]	18 [116]
5-6 [125-150]		

ENGINEERING SPECIFICATION: ZURN Z-627-78 Isolation deck adjustable drain, Dura-Coated cast iron lower body with clamp collar and neoprene flex gasket, isolation nipple, upper body with clamp collar and sediment bucket. Polished bronze or nickel bronze veneer grate with Dex-o-tex Flange.

OPTIONS (Check/specify appropriate options)

PIPE SIZE	(Specify size/type) OUTLET	'E' BODY HT. DIM.
2 thru 6 [50 thru 150]	___ IC Inside Caulk	5 1/4 [133]
2 thru 4, 6 [50 thru 100, 150]	___ IG Inside Caulk w/Sealtrol Gskt.	5 1/4 [133]
2 thru 6 [50 thru 150]	___ IP Threaded	3 3/4 [95]
2 thru 6 [50 thru 150]	___ NH No-Hub	5 1/4 [133]
2 thru 4 [50 thru 100]	___ NL Neo-Loc	4 5/8 [117]

PREFIXES

- ___ ZB- D.C.C.I Body w/Polished Bronze Top (Add 3/16 [5] to 2 [51] and 5/8 [16] to 9 [229] Dim.)
- ___ ZN- D.C.C.I Body w/Polished Nickel Bronze Top (Add 3/16 [5] to 2 [51] and 5/8 [16] to 9 [229] Dim.)

SUFFIXES

- | | |
|---|---|
| <ul style="list-style-type: none"> ___ -C Underdeck Clamp ___ -DG Guresist Grate ___ -F Extension ___ -G Galvanized Cast Iron ___ -R Sump Receiver | <ul style="list-style-type: none"> ___ -TS Top Secured with Slotted Screws ___ -VP Vandal Proof Secured Top |
|---|---|

REV.	DATE: 3/13/98	C.N. NO. 80027
DWG. NO. P-14607		PRODUCT NO. Z-627-78