



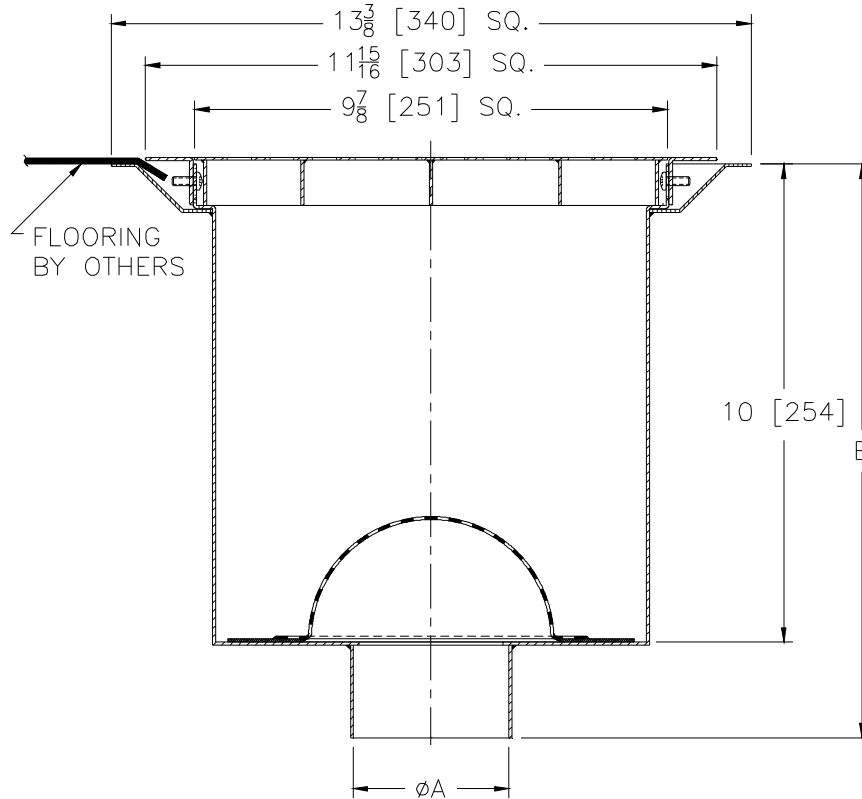
# Z1755-76

SPECIFICATION SHEET

## 13 3/8 SQ. [340] SANI-FLOR RECEPTOR 10 [254] SUMP W/ ADJUSTABLE CLAMP FRAME AND 1/2 GRATE

TAG \_\_\_\_\_

Dimensional Data (inches and [ mm ]) are Subject to Manufacturing Tolerances and Change Without Notice



**PATENT  
PENDING**

A- Pipe Size In.	Approx. Wt. Lbs. [kg]	Grate Open Area Sq. In. [cm ]
2-3-4 [51-76-102]	10 [5]	46 [297]

**ENGINEERING SPECIFICATION: ZURN Z1755-76**  
 13 3/8 [340] Square x 10 [254] deep, 16 gage, All Type 304 (CF8) Fabricated stainless steel light-duty Sani-Flor receptor with Integral flooring clamp frame and non-tilt loose-set 1/2 grate with interior dome strainer for unlevel floor installations.

**OPTIONS** (Check/specify appropriate options)

**PIPE SIZE**

2 thru 4 [51 thru 102]

(Specify size) **OUTLET**

\_\_\_\_ NH No-Hub

**'E' BODY HT. DIM.**

12 [305]

**PREFIXES**

- \_\_\_\_ Z Type 304 (CF8) Stainless Steel Body\*
- \_\_\_\_ ZM Type 316 (CF8M) Stainless Steel

**SUFFIXES**

- \_\_\_\_ -P 1/2 [13] Trap Primer Connection

\*REGULARLY FURNISHED UNLESS OTHERWISE SPECIFIED

REV.	DATE: 04/27/12	C.N. NO. 124190
DWG. NO. 309589		PRODUCT NO. Z1755-76