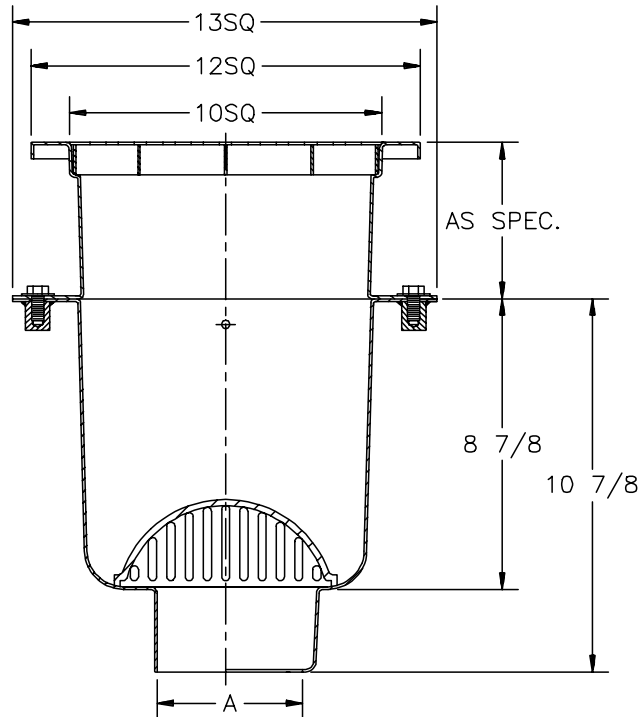




Z-1752-79
12" x 12" SANI-FLOR
RECEPTOR

TAG _____

Dimensional Data (inches and [mm]) are Subject to Manufacturing Tolerances and Change Without Notice



A- Pipe Size In.	Approx. Wt. Lbs.	Grate Open Area Sq. In.
2-3-4	22	21

ENGINEERING SPECIFICATION: ZURN Z-1752-79
 12x12x10-7/8 deep, 14 gage, All Type 304 (CF8) Stainless Steel light duty Sani-Flor receptor with non-tilt, loose set full grate with 1/2" square openings, extension, flange and anti-splash interior dome strainer.

OPTIONS (Check/specify appropriate options)

OUTLET (Specify type)

- ___ **IC** Inside Caulk
- ___ **NH** No-Hub

PIPE SIZE (Specify size)

- ___ 2" thru 4"
- ___ 2" thru 4"

PREFIXES

- ___ **Z-** Type 304 (CF8) Stainless Steel*

SUFFIXES

- ___ **-HD** Cast Stainless Steel Heavy Duty Top Frame and Slotted Grate add 1/2" to 'E' Dim.
- ___ **-K** Seepage Pan
- ___ **-KC** Seepage Pan with Clamp Collar
- ___ **-P** 1/2" Trap Primer Connection
- ___ **-Y** Sediment Bucket
- ___ **-YS** Suspended Sediment Bucket
- ___ **-1** Less Grate
- ___ **-2** 1/2 Grate
- ___ **-3** 3/4 Grate
- ___ **-4** Full Grate with 3" Square Center Opening
- ___ **-5** Grate w/4" Dia.x 3-3/4" High 304 S.S. Funnel
- ___ **-8** Grate w/8-7/8x3-5/8 High 304 S.S. Oval Funnel
- ___ **-15** Solid Cover
- ___ **-16** 1/2 Solid Cover
- ___ **-17** 3/4 Solid Cover
- ___ **-18** Solid Cover w/3" Square Center Opening

REV.	DATE: 7/2/92	C.N. NO. 68385
DWG. NO. P-13714 PRODUCT NO. Z-1752-79		

*REGULARLY FURNISHED UNLESS OTHERWISE SPECIFIED

ZURN INDUSTRIES, INC. ♦ SPECIFICATION DRAINAGE OPERATION ♦ 1801 Pittsburgh Ave. ♦ Erie, PA 16514

Phone: 814/455-0921 ♦ Fax: 814/454-7929 ♦ World Wide Web: www.zurn.com

In Canada: ZURN INDUSTRIES LIMITED ♦ 3544 Nashua Drive ♦ Mississauga, Ontario L4V1L2 ♦ Phone: 905/405-8272 Fax: 905/405-1292