



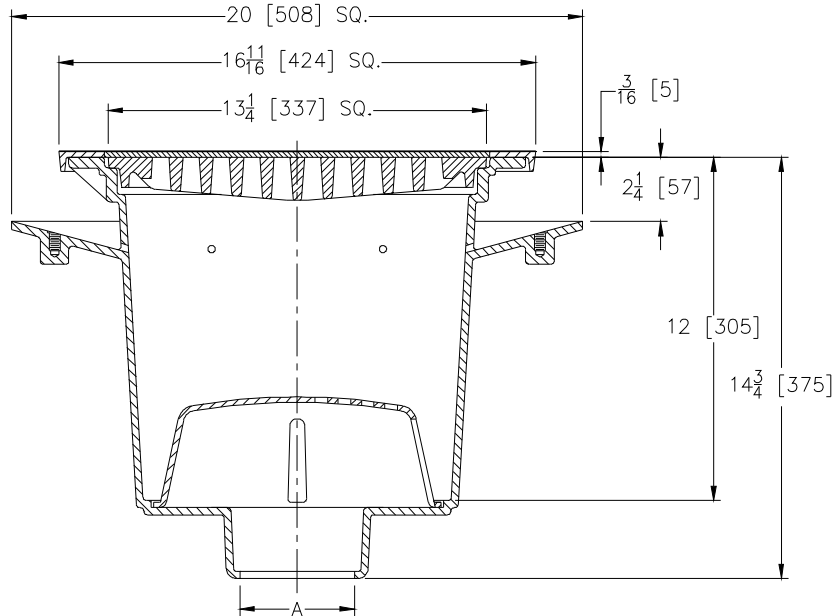
ZN1926-91

16 X 16 [406 X 406] A.R.C. SANI-FLOR
RECEPTOR 12 [305] SUMP DEPTH

SPECIFICATION SHEET

TAG _____

Dimensional Data (inches and [mm]) are Subject to Manufacturing Tolerances and Change Without Notice



A Pipe Size In. [mm]	Approx. Wt. Lbs. [kg]	Grate Open Area Sq. In. [cm ²] [After protective cover is removed]
2,3,4,5,6,8 [51,76,102,127,152,203]	150 [68]	54 [348]

ENGINEERING SPECIFICATION: ZURN ZN1926-91 Sani-Flor Receptor 16" x 16" x 12" [406mm x 406mm x 305mm] deep cast iron body with seepage flange and square, heavy-duty grate with 9/16" [14mm] slotted openings, white acid resisting epoxy coated interior and top, complete with aluminum anti-splash interior bottom dome strainer and galvanized steel construction protective cover.

OPTIONS (Check/specify appropriate options)

PIPE SIZE

- 2,3,4,6 [51,76,102,152]
- 2,3,4 [51,76,102]
- 2,3,4,5,6,8 [51,76,102,127,152,203]

(Specify size/type) **OUTLET**

- _____ IC Inside Caulk
- _____ NL Neo-Loc
- _____ NH No-Hub

'E' BODY HT. DIMENSION

Z	ZN
15 [381]	15-3/16 [386]
14-1/4 [362]	14-7/16 [367]
15 [381]	15-3/16 [386]

PREFIXES

- _____ ZN Cast Iron Body with White A.R.C. Interior, 16-3/4 [425] Square N.B. Frame and Full Slotted Grate

SUFFIXES

- | | | | |
|-----------|---------------------------------------------------------------------|-----------|-----------------------------------------------------------------|
| _____ -C | Clamp Collar | _____ -8 | Grate w/ 8-7/8 x 3-5/8 x 3-3/4 [225 x 92 x 95] High Oval Funnel |
| _____ -LD | Less Bottom Dome Strainer | _____ -11 | Vandal-Proof Secured Grate |
| _____ -P | 1/2 [13] Trap Primer Connection | _____ -15 | Solid Loose Set Cover |
| _____ -TC | Neo-Loc Test Cap Gasket
(2 - 4 [51 - 102] NL Bottom Outlet Only) | _____ -16 | 1/2 Solid Loose Set Cover |
| _____ -1 | Less Grate | _____ -17 | 3/4 Solid Loose Set Cover |
| _____ -2 | 1/2 Grate | _____ -18 | Solid Loose Set Cover with 2 [51] Square Center Opening |
| _____ -3 | 3/4 Grate | _____ -23 | Aluminum Bucket |
| _____ -4 | Full Grate with 3-3/4 [95] Center Opening | _____ -25 | White A.R.C. Bucket |
| _____ -5 | Grate w/ 4 [102] Dia. x 3-3/4 [95] High Funnel | _____ -31 | Stainless Steel Mesh Liner for Bucket |
| _____ -6 | Grate w/ 6 [152] Dia. x 6 [152] High Funnel | _____ -33 | White A.R.C. Anti-Splash Bottom Dome Strainer |
| _____ -7 | Grate w/ 6-3/4 x 3 x 1 [171 x 76 x 25] High Oval Funnel | | |

* Regularly furnished unless otherwise specified.