

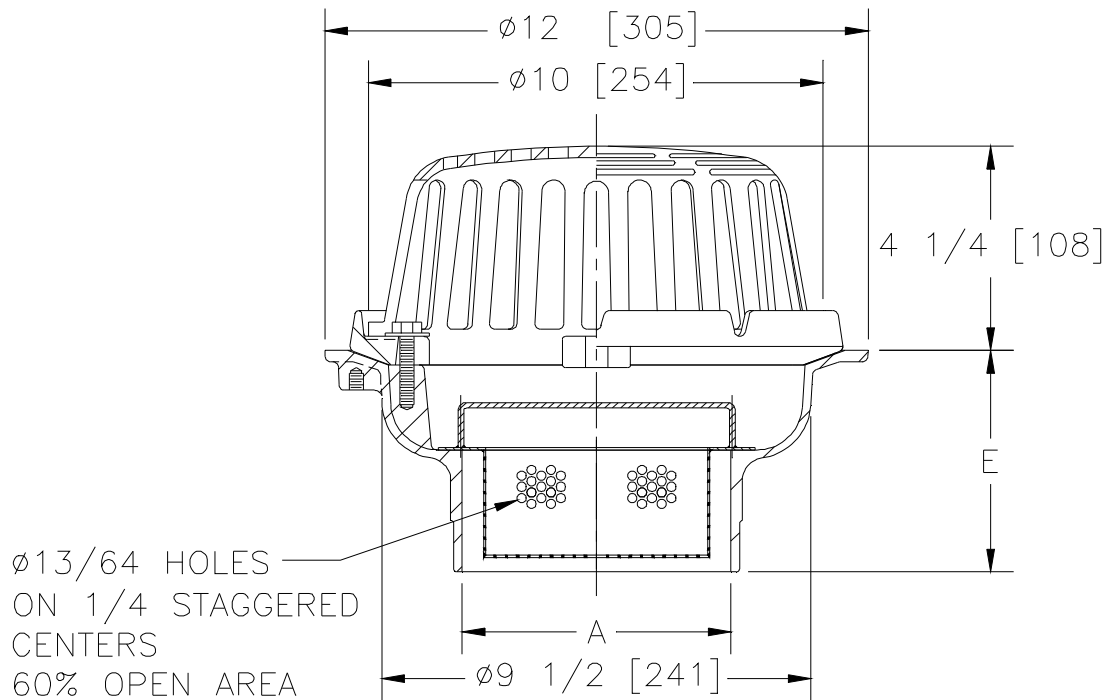


**Z-121-101**  
**12 [305] DIAMETER ROOF DRAIN**  
**LOW SILHOUETTE DOME**

SPECIFICATION SHEET

TAG \_\_\_\_\_

Dimensional Data (inches and [ mm ]) are Subject to Manufacturing Tolerances and Change Without Notice



A- Pipe Size In.	Approx. Wt. Lbs. [kg]	Dome Open Area Sq. In. [cm <sup>2</sup> ]
6 [150]	22 [10]	78 [503]

**ENGINEERING SPECIFICATION: ZURN Z-121-101**  
 12 [305] Diameter roof drain. Dura-Coated cast iron body with combination membrane flashing clamp/gravel guard, removable stainless steel sediment bucket, and low silhouette cast iron dome.

**OPTIONS** (Check/specify appropriate options)

**PIPE SIZE**

(Specify size/type) **OUTLET**

**E BODY HT. DIM.**

6 [150]

\_\_\_\_\_ NH No-Hub

5 1/4 [133]

**PREFIXES**

- \_\_\_\_\_ Z- D.C.C.I. Body with Dome\*
- \_\_\_\_\_ ZA- D.C.C.I. Body with Aluminum Dome
- \_\_\_\_\_ ZRB- D.C.C.I. Body with Plain Bronze Dome

**SUFFIXES**

- \_\_\_\_\_ -AR Acid Resistant Epoxy Coated Finish
- \_\_\_\_\_ -BS Bronze Mesh Screen Over Dome
- \_\_\_\_\_ -C Underdeck Clamp
- \_\_\_\_\_ -E Static Extension 1 [25] thru 4 [102] (Specify Ht.)
- \_\_\_\_\_ -G Galvanized Cast Iron
- \_\_\_\_\_ -R Roof Sump Receiver
- \_\_\_\_\_ -SC Secondary Clamping Collar
- \_\_\_\_\_ -SS Stainless Steel Mesh Screen Over Dome
- \_\_\_\_\_ -VP Vandal Proof Secured Top
- \_\_\_\_\_ -XJ Vertical Expansion Joint (See Z-190)
- \_\_\_\_\_ -84 Stainless Steel Perforated Gravel Guard
- \_\_\_\_\_ -85 Stainless Steel Perforated Extension
- \_\_\_\_\_ -89 2 [51] High External Water Dam

\*REGULARLY FURNISHED UNLESS OTHERWISE SPECIFIED

<b>REV.</b>	<b>DATE: 12/12/01</b>	<b>C.N. NO. 88210</b>
<b>DWG. NO. P-14861 PRODUCT NO. Z-121-101</b>		