



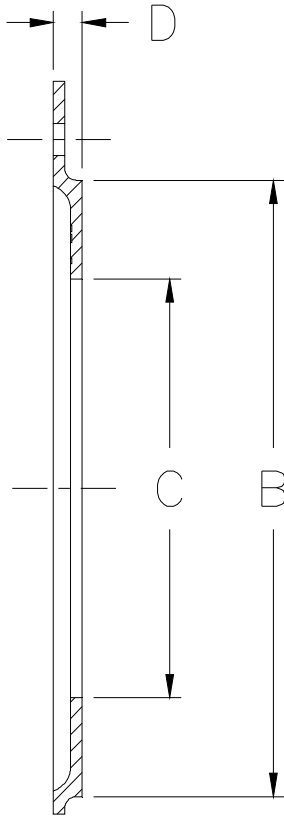
Z199-102

DOWNSPOUT NOZZLE FLANGE

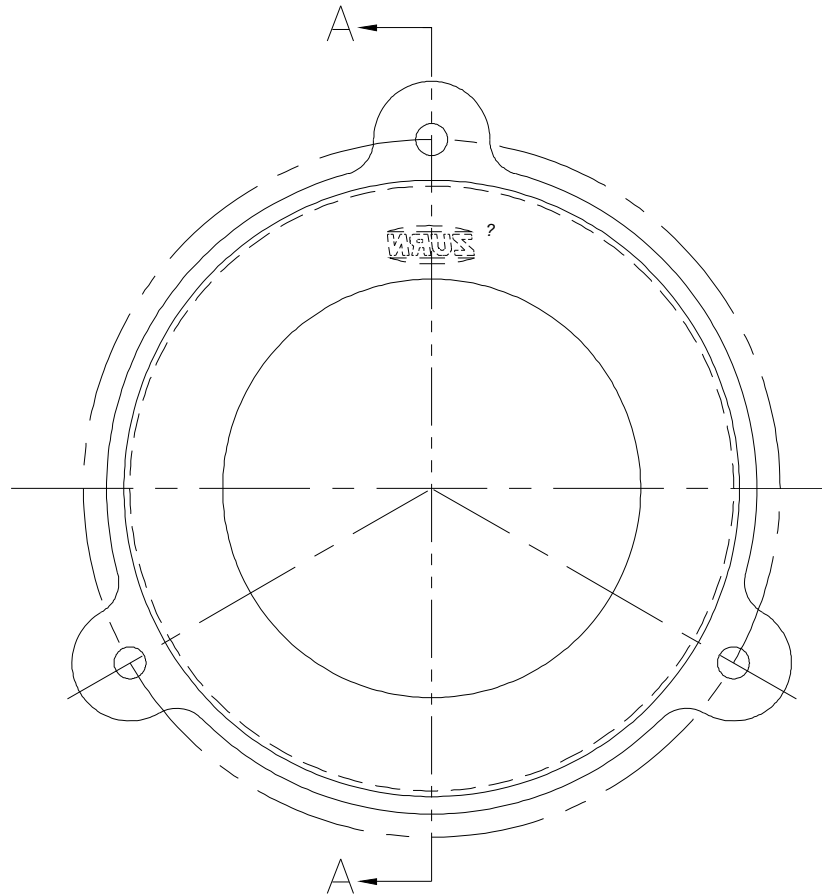
SPECIFICATION SHEET

TAG _____

Dimensional Data (inches and [mm]) are Subject to Manufacturing Tolerances and Change Without Notice



SECTION A-A



Pipe Size	Dimensions in inches			Approx. Wt. Lbs. [kg]
	B	C	D	
2 [51]	4-1/2 [114]	2-1/2 [64]	5/16 [8]	1 [.45]
3 [76]	5-1/2 [140]	3-1/2 [89]	5/16 [8]	1 [.45]
4 [102]	6-5/8 [168]	4-1/2 [114]	5/16 [8]	2 [.9]
5 [127]	7-5/8 [194]	5-5/8 [143]	5/16 [8]	2 [.9]
6 [152]	8-5/8 [219]	6-5/8 [168]	5/16 [8]	2 [.9]
8 [203]	10-5/8 [270]	8-5/8 [219]	3/8 [10]	3 [1.36]
10 [254]	12-5/8 [321]	10-5/8 [270]	3/8 [10]	3 [1.36]
12 [305]	14-5/8 [371]	12-5/8 [321]	3/8 [10]	4 [1.8]

ENGINEERING SPECIFICATION: ZURN ZANB199-102
 All nickel bronze decorative face of wall flange for downspout nozzle.

OPTIONS (Check/specify appropriate options)

PIPE SIZE

2-3-4-5-6-8-10-12[51-76-102-127-152-203-254-305]

PREFIXES

- ___ ZANB All Nickel Bronze Flange*
- ___ ZAB All Polished Bronze Flange
- ___ ZARB All Plain Bronze Flange

* Regularly furnished unless otherwise specified.