



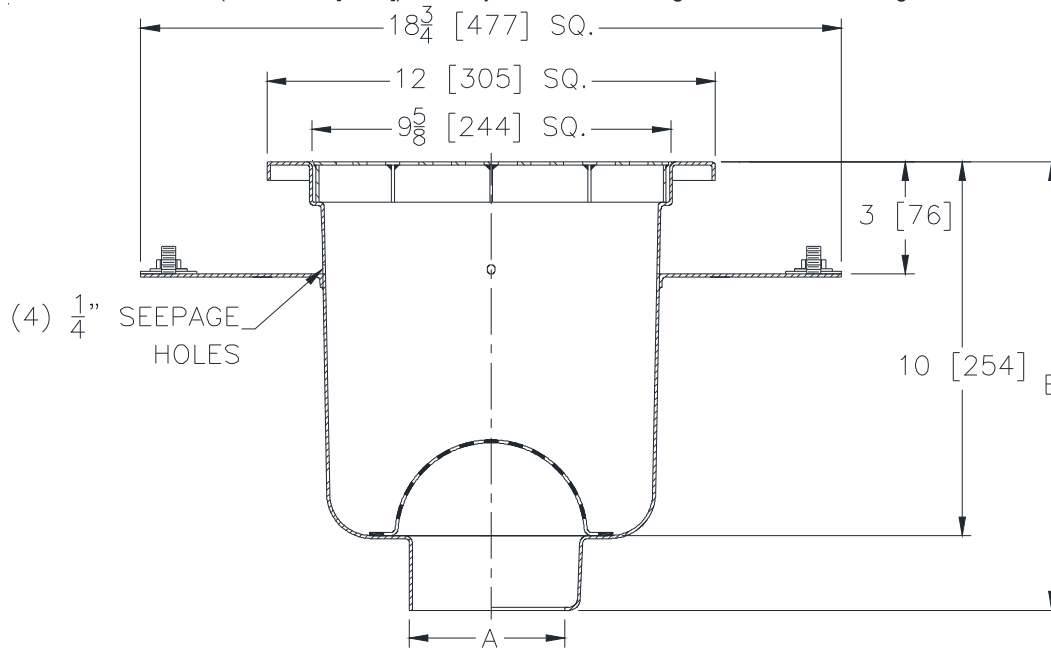
Z1752-147

12 X 12 [305 X 305] SANI-FLOR RECEPTOR
10 [254] SUMP W/ CUSTOM ANCHOR FLANGE

SPECIFICATION SHEET

TAG _____

Dimensional Data (inches and [mm]) are Subject to Manufacturing Tolerances and Change Without Notice



A- Pipe Size In. [mm]	Approx. Wt. Lbs. [kg]	Grate Open Area Sq. In. [cm ²]
2,3,4 [51,76,102]	22 [10]	23 [148]
6 [152]	23 [10]	23 [148]

ENGINEERING SPECIFICATION: ZURN Z1752-147

12" x 12" x 10" [305mm x 305mm x 254mm] deep, 14 gage, All Type 304 (CF8) Stainless Steel light-duty Sani-Flor receptor with non-tilt, loose set full grate with 1/2" [13mm] square openings, anti-splash interior dome strainer, and custom anchor flange with seepage holes and clamp collar.

OPTIONS (Check/specify appropriate options)

PIPE SIZE

- 2,3,4 [51,76,102]
- 2 [51]
- 3 [76]
- 4 [102]
- 2,3,4,6 [51,76,102,152]
- 2,3,4 [51,76,102]

(Specify size/type) OUTLET

- _____ IC Inside Caulk
- _____ IP Threaded
- _____ IP Threaded
- _____ IP Threaded
- _____ NH No-Hub
- _____ NL Neo-Loc

'E' BODY HT. DIM.

- 12-9/16 [319]
- 11-5/16 [287]
- 11-9/16 [294]
- 12-1/16 [306]
- 12-1/16 [306]
- 11-13/16 [300]

PREFIXES

- _____ Z Type 304 (CF8) Stainless Steel Body*
- _____ ZM Type 316 (CF8M) Stainless Steel

SUFFIXES

- | | |
|-----------------------------------------------------------------------------|-----------------------------------------------------------------------|
| _____ -DX Dex-o-tex Flange | _____ -5 Grate w/ 4 [102] Dia. x 3-3/4 [95] High 304 S.S. Funnel |
| _____ -HP Heel-Proof Grate | _____ -8 Grate w/ 9 [229] Dia. x 3-1/2 [90] High 304 S.S. Oval Funnel |
| _____ -LSH (Less) Seepage Holes | _____ -15 Solid Cover |
| _____ -SG Solid Gasketed Cover | _____ -16 1/2 Solid Cover |
| _____ -TC Neo-Loc Test Cap Gasket (2,3,4 [51,76,102] NL Bottom Outlet Only) | _____ -17 3/4 Solid Cover |
| _____ -VP Vandal-Proof Secured Top | _____ -18 Solid Cover w/ 3 [76] Square Center Opening |
| _____ -Y Sediment Bucket | _____ -19 Full Hinged Grate |
| _____ -YS Suspended Sediment Bucket | _____ -20 Full Hinged Solid Cover |
| _____ -1 (Less) Grate | |
| _____ -2 1/2 Grate | |
| _____ -3 3/4 Grate | |
| _____ -4 Full Grate with 3 [76] Square Center Opening | |

* Regularly furnished unless otherwise specified.