

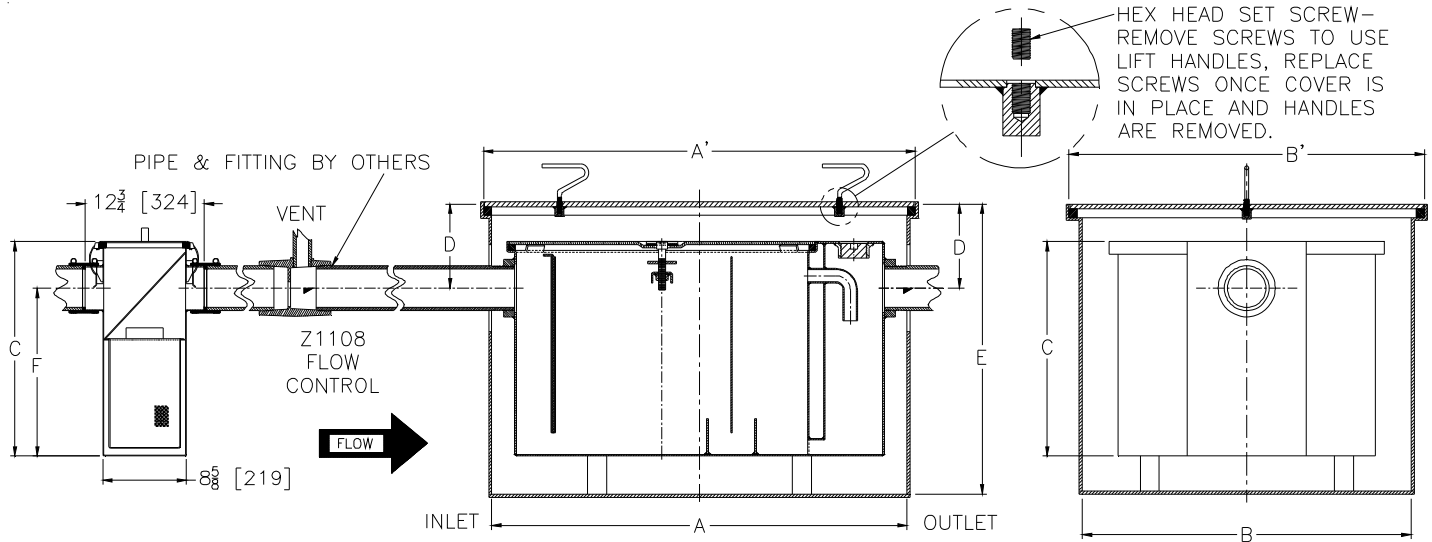


Z1165-RE

100 PPM GREASE INTERCEPTOR W/ RECESSED ENCLOSURE

SPECIFICATION SHEET
TAG _____

Dimensional Data (inches and [mm]) are Subject to Manufacturing Tolerances and Change Without Notice



| Size | Inlet/ Outlet Size** | Flow Rate G.P.M.[L] | Capacity | | Dimension in Inches | | | | | | | |
|------|----------------------------|---------------------------|-------------------|---------------------|---------------------|---------------|--------------|---------------|--------------|-------------|--------------|---------------|
| | | | Water Gal. [L] | Grease Lbs. [kg] | A | A' | B | B' | C | D | E | F |
| 200 | 3 [76] | 7 [26] | 16 [60] | 14 [6] | 29-1/2 [749] | 31-1/2 [800] | 20-3/4 [527] | 22-3/4 [578] | 15 [381] | 5-1/4 [133] | 24 [610] | 11-3/4 [298] |
| 300 | | 10 [38] | 21 [79] | 20 [9] | 34 [864] | 36 [914] | 23-1/4 [591] | 25-1/4 [641] | 17 [432] | 6-1/2 [165] | 25-3/4 [654] | 12-7/16 [316] |
| 400 | | 15 [57] | 30 [113] | 30 [14] | 35 [889] | 37 [940] | 26 [660] | 28 [711] | 18-3/4 [476] | 6-1/2 [165] | 26-3/4 [679] | 14-3/16 [360] |
| 500 | | 20 [76] | 40 [151] | 40 [18] | 37-1/4 [946] | 39-1/4 [997] | 28 [711] | 30 [762] | 21-1/2 [546] | 7-1/2 [191] | 30-1/2 [775] | 16 [406] |
| 600 | | 25 [95] | 65 [246] | 50 [23] | 44-1/4 [1124] | 46-1/4 [1175] | 33-1/8 [841] | 35-1/8 [892] | 25-1/4 [641] | 9 [229] | 31-1/4 [794] | 20 [508] |
| 700 | | 35 [132] | 100 [416] | 70 [32] | 51 [1295] | 53 [1346] | 38-1/8 [968] | 40-1/8 [1019] | 28 [711] | 8-1/2 [216] | 36 [914] | 23 [584] |

ENGINEERING SPECIFICATION: ZURN Z1165-RE

100 PPM Grease interceptor with Acid Resistant Epoxy Coated Recessing Receiver, enclosed type, equipped with fixed support brackets and gasketed non-skid cover with removable lift handles. For interceptor specifications see Z1165 specification sheet. Only available with sizes 200 thru 700.

PREFIXES

- ___ Z Acid Resistant Coated Fabricated Steel*
- ___ ZS All Type 304 Fabricated Stainless Steel

SUFFIXES

- ___ -AL Aluminum Cover
- ___ -E Acid Resistant Coated interior and exterior fabricated steel extension section (Specify 'E' Dim. required).
- ___ -HD Heavy-Duty Cover rated at 10,000 lbs. maximum safe live load. A 3 [76] minimum extension height is required when Heavy-Duty Cover (-HD) option is specified
- ___ -K Anchor flange 1-3/4 [44] down from top and 2 [51] wide. A 3 [76] minimum extension height is required when anchor flange (-K) option is specified.
- ___ -KC Anchor flange 1-3/4 [44] down from top and 2 [51] wide with clamp collar. A 3 [76] minimum extension height is required when anchor flange (-K) option is specified. (Specify 'E' Dim. height required.)
- ___ -L Angle type (Z1108-L) flow control device with plunger.
- ___ -LS Less solids interceptor.
- ___ -PW Plug Wrench
- ___ -SI Solids interceptor only (specify required size).
- ___ -T Cover recessed for tile/terrazzo. A 3 [76] minimum extension height is required. (Specify 'C' Dim. and required recess depth - 1/8 [3], 3/4 [19], or 1-1/4 [32]).
- ___ -XF Extra supply of 30 solids filter bags.

| | | |
|--------|----------------|-----------------|
| REV. A | DATE: 02/22/13 | C.N. NO. 128847 |
|--------|----------------|-----------------|

PROD./DWG. NO. Z1165-RE

*REGULARLY FURNISHED UNLESS OTHERWISE SPECIFIED