



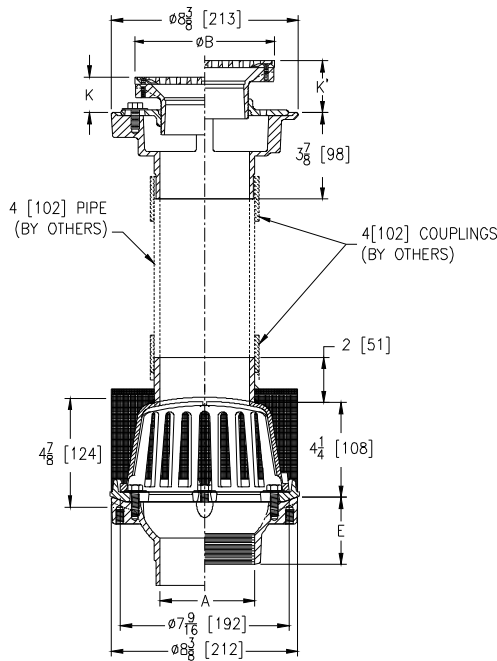
Z125-112

8-3/8 [213] DIAMETER COMBINATION ROOF DRAIN
AND 8-3/8 [213] BODY ASSEMBLY W/
"TYPE BZ" LEVELING STRAINER

SPECIFICATION SHEET

TAG _____

Dimensional Data (inches and [mm]) are Subject to Manufacturing Tolerances and Change Without Notice



Dimensions In Inches [mm]						Approx. Wt. Lbs. [kg]	Strainer Open Area Sq. In. [cm ²]
A - Pipe Size	B Strainer Dia.	K		K'			
		Min.	Max.	Min.	Max.		
2,3 [51,76]	5 [127]	1-1/16 [27]	1-15/16 [49]	1-3/4 [44]	2-7/8 [73]	34 [15]	7 [45]
2,3,4 [51,76,102]	6 [152]	1-1/16 [27]	1-15/16 [49]	1-3/4 [44]	2-7/8 [73]	36 [16]	9 [58]

ENGINEERING SPECIFICATION: ZURN Z125-112

8-3/8" [213 mm] Diameter roof drain. Dura-Coated lower cast iron body with combination membrane flashing clamp/gravel guard, low silhouette dome with 4" [102 mm] standpipe and stainless steel mesh screen over dome. Upper drain consists of Dura-Coated cast iron body with bottom outlet, complete with invertible membrane flashing clamp with seepage slots and "TYPE BZ" polished nickel bronze leveling strainer. **NOTE:** 4" [102 mm] drainage pipe and no-hub couplings provided by others.

OPTIONS (Check/specify appropriate options)

PIPE SIZE

- 2, 3, 4 [51, 76, 152]
- 2, 3, 4 [51, 76, 152]
- 2, 3, 4 [51, 76, 152]
- 2, 3, 4 [51,76,102]

(Specify size/type) OUTLET

- _____ IC Inside Caulk
- _____ IP Threaded
- _____ NH No-Hub
- _____ NL Neo-Loc

E BODY HT. DIM.

- 5-1/4 [133]
- 3-3/4 [95]
- 5-1/4 [133]
- 4-9/16 [116]

PREFIXES

- _____ ZB D.C.C.I. Body Assembly w/ Polished Bronze Top
- _____ ZN D.C.C.I. Body Assembly w/ Polished Nickel Bronze Top*

SUFFIXES

- | | |
|--|--|
| _____ -AR Acid Resistant Epoxy Coated Finish | _____ -TC Neo-Loc Test Cap Gasket (2,3,4 [51,76,102] NL outlet only) |
| _____ -C Underdeck Clamp (Lower Body) | _____ -U 1-3 [25-76] High Extension Adapter |
| _____ -CP Chrome-Plated Bronze Top | _____ -VP Vandal Proof Secured Top |
| _____ -DP Top-Set® Deck Plate (Replaces both the -C and -R) (Lower Body) | _____ -85 Stainless Steel Perforated Extension (Specify Height) (Lower Body) |
| _____ -E 2 [51] High Static Extension (Lower Body) | _____ -90 90 Threaded Side Outlet Body (2,3,4 [51,76,102] Outlets only) (Lower Body) |
| _____ -G Galvanized Cast Iron | |
| _____ -R Roof Sump Receiver (Lower Body) | |

* Regularly furnished unless otherwise specified.