

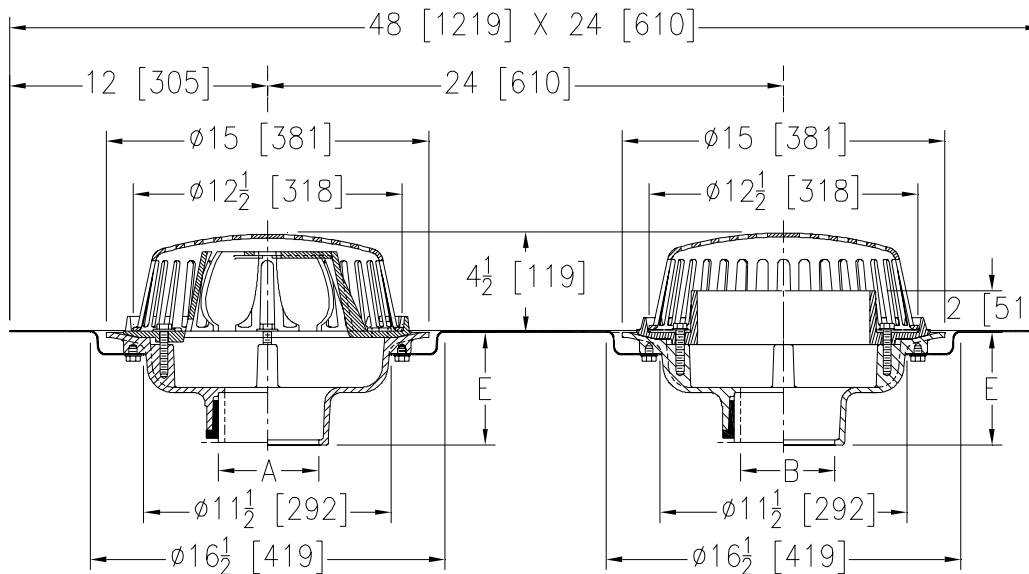


Z163-78

15 [381] DIAMETER COMBINATION CONTROL-FLO AND OVERFLOW DRAIN W/ LOW SILHOUETTE DOMES AND DOUBLE TOP-SET® DECK PLATE

SPECIFICATION SHEET
TAG _____

Dimensional Data (inches and [mm]) are Subject to Manufacturing Tolerances and Change Without Notice



A Pipe Size In.	Approx. Wt. Lbs. [kg]	Dome Open Area Sq. In. [cm ²]
2-3-4 [51-76-102]	36 [16]	103 [665]
B Pipe Size In.	Approx. Wt. Lbs. [kg]	Dome Open Area Sq. In. [cm ²]
2-3-4 [51-76-102]	44 [20]	103 [665]
5-6 [127-152]	41 [19]	
8 [203]	44 [20]	

ENGINEERING SPECIFICATION: ZURN Z163-78

15 [381] Diameter Control-Flo and overflow drain, Dura-Coated cast iron bodies, Control-Flo drain with weir is linear functioning with integral membrane flashing clamp/gravel guard, combination membrane flashing clamp/gravel guard. Overflow drain has internal water dam, integral membrane flashing clamp/gravel guard, drains have Poly-Domes and double Top-Set® deck plate.

OPTIONS (Check/specify appropriate options)

PIPE SIZE

- 2 thru 6, 8 [51 thru 152, 203]
- 2 thru 6, 8 [51 thru 152, 203]
- 2 thru 6, 8 [51 thru 152, 203]
- 2, 3, 4 [51, 76, 102]

(Specify size/type) OUTLET

- _____ IC Inside Caulk
- _____ IP Threaded
- _____ NH No-Hub
- _____ NL Neo-Loc

E BODY HT. DIM.

- 5 1/4 [133]
- 3 3/4 [95]
- 5 1/4 [133]
- 4 9/16 [116]

PREFIXES

- ___ Z D.C.C.I. Body with Poly-Dome*
- ___ ZA D.C.C.I. Body with Aluminum Dome
- ___ ZC D.C.C.I. Body with Cast Iron Dome
- ___ ZRB D.C.C.I. Body with Plain Bronze Dome

SUFFIXES

- ___ -AR Acid Resistant Epoxy Coated Finish
- ___ -BS Bronze Mesh Screen Over Dome
- ___ -DR Top-Set® Drain Riser
- ___ -E Static Extension 1 thru 4 [25 thru 102] (Specify Ht.)
- ___ -EA Adjustable Extension Assembly
2 1/8 thru 3 1/2 [54 thru 89]
- ___ -G Galvanized Cast Iron
- ___ -GD Galvanized Cast Iron Dome
- ___ -HD 6 3/4 [171] High Aluminum Dome Strainer
(148 sq. in. open area) (ZA only)
- ___ -SS Stainless Steel Mesh Screen Over Dome
- ___ -SC Secondary Clamping Collar
- ___ -TC Neo-Loc Test Cap Gasket
(2-4 [51-102] NL Bottom Outlet Only)
- ___ -VP Vandal Proof Secured Top
- ___ -XJ Vertical Expansion Joint (See Z190)
- ___ -84 Stainless Steel Perforated Gravel Guard
- ___ -85 Stainless Steel Perforated Extension

*REGULARLY FURNISHED UNLESS OTHERWISE SPECIFIED

REV. DATE: 1/28/09 C.N. NO. 99624

DWG. NO. P-15653 PRODUCT NO. Z163-78

ZURN INDUSTRIES, LLC. ♦ SPECIFICATION DRAINAGE OPERATION ♦ 1801 Pittsburgh Ave. ♦ Erie, PA 16514

Phone: 814/455-0921 ♦ Fax: 814/454-7929 ♦ World Wide Web: www.zurn.com

In Canada: ZURN INDUSTRIES LIMITED ♦ 3544 Nashua Drive ♦ Mississauga, Ontario L4V1L2 ♦ Phone: 905/405-8272 Fax: 905/405-1292