



# ZN1201-77

NARROW WALL WITH 8-13/16 [224] FRONT TO BACK  
 EZCARRY® ADJUSTABLE HORIZONTAL HIGH PERFORMANCE SIPHON  
 JET NO-HUB WATER CLOSET CARRIER SYSTEM FOR LOW ROUGH-IN, W/  
 FLOORMOUNTED, BACK OUTLET FIXTURE SUPPORT

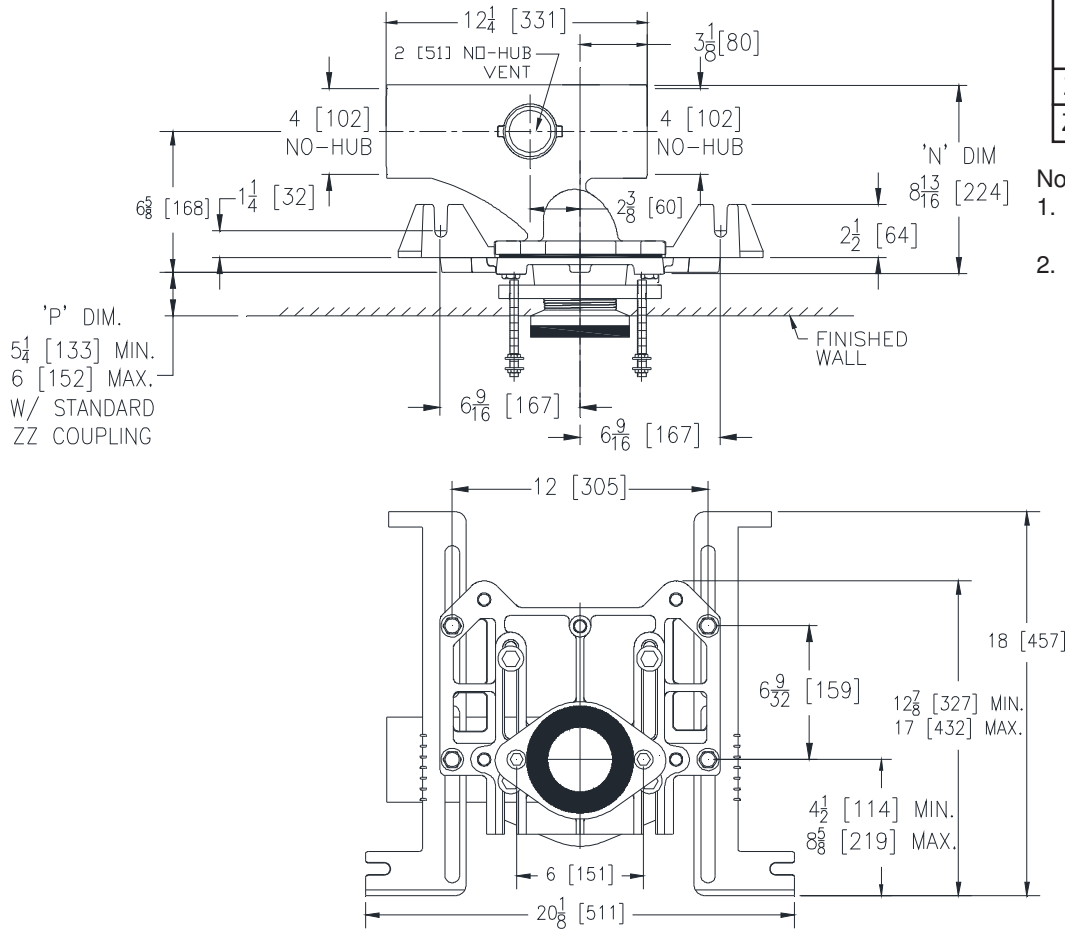
SPECIFICATION SHEET

TAG \_\_\_\_\_



Dimensional Data (inches and [mm]) are Subject to Manufacturing Tolerances and Change Without Notice

ZN1201-NR4-77 Illustrated



Product Number	Approx. Wt. lbs [kg]
ZN1201-NR4-77	75 [34]
ZN1201-NL4-77	

Note:

1. Cut ZZ Coupling, Min. 'P' Dim. Obtainable = 1-7/8" [48mm]
2. Feet bolted to floor using min. 1/2" [13mm] dia. anchors.

**ENGINEERING SPECIFICATION: ZURN ZN1201-77**

EZCarry® Narrow Wall horizontal siphon jet water closet carrier system, with high performance Dura-Coated cast iron main fitting with hydro-mechanically optimized sweep, 4" [102 mm] no-hub connections, and extended 2" [51 mm] vent. Corrosion resistant, adjustable 3" [76 mm] dia. X 6" [152 mm] coupling with integral test cap, designed to increase flow velocity and line carry, labor saving "Neo-Seal" bonded gasket optimizes flow performance while reducing installation steps and floor mounted back outlet fixture support. Complete system includes an adjustable, gasketed modified faceplate; floor mounted foot supports; fixture bolts, trim, and stud protectors.

**OPTIONS** (Check/specify appropriate options)

- \_\_\_ ZN1201-NR4-77      4 [102] No-Hub Left Hand Inlet with Flow to Right
- \_\_\_ ZN1201-NL4-77      4 [102] No-Hub Right Hand Inlet with Flow to Left

**PREFIXES**

- \_\_\_ Z      D.C.C.I. System with Zurn ZZ Adjustable Coupling\*

**SUFFIXES**

- \_\_\_ -CC      Corrosion Resistant Cast Iron Coupling (2-1/4 to 12 [57 to 305])
- \_\_\_ -CS      2-1/4 [57] Polymer Coupling with Integral Test Cap
- \_\_\_ -G      Galvanized Cast Iron
- \_\_\_ -JC      2 [51] Auxiliary Inlet with 1/8 [3] Blend
- \_\_\_ -VP      Vandal-Proof Trim
- \_\_\_ -50      Flush Valve Supply Support for Water Closets

\* Regularly furnished unless otherwise specified.