



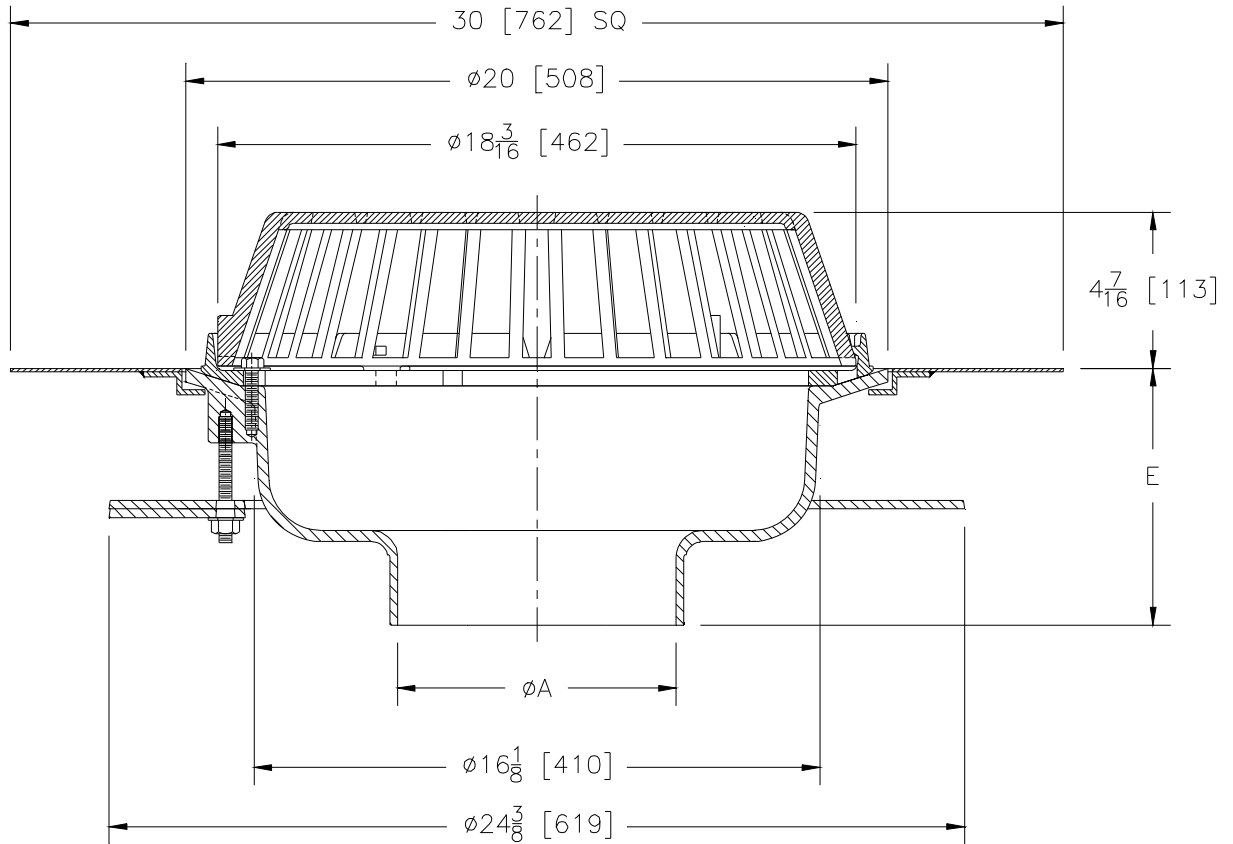
# Z101-C-R

20 [508] DIAMETER MAIN ROOF DRAIN WITH UNDERDECK CLAMP AND ROOF SUMP RECIEVER

SPECIFICATION SHEET

TAG \_\_\_\_\_

Dimensional Data (inches and [ mm ]) are Subject to Manufacturing Tolerances and Change Without Notice



A- Pipe Size In.[mm]	Approx. Wt. Lbs. [kg]	Dome Open Area Sq. In. [cm <sup>2</sup> ]
8 [203]	111 [50]	216 [1394]
10 [254]	112 [51]	
12 [305]	113 [51]	

**ENGINEERING SPECIFICATION: ZURN Z101-C-R**  
 20" [508mm] Diameter roof drain. Dura-Coated cast iron body with combination membrane flashing clamp/gravel guard, roof sump receiver, underdeck clamp and low silhouette dome.

**PIPE SIZE**

8, 10, 12 [203, 254, 305]

(Specify size/type) **OUTLET**

\_\_\_\_\_ NH No-Hub

**E BODY HT. DIM.**

7-5/16 [185]

**PREFIXES**

\_\_\_\_\_ Z D.C.C.I. Body with Cast Iron Dome\*

**SUFFIXES**

- \_\_\_\_\_ -AR Acid Resistant Epoxy Coated
- \_\_\_\_\_ -E Static Extension 1 [25] thru 4 [102] (Specify Height)
- \_\_\_\_\_ -G Galvanized Cast Iron
- \_\_\_\_\_ -W2 2 [51] Internal Water Dam
- \_\_\_\_\_ -W3 3 [76] Internal Water Dam
- \_\_\_\_\_ -W4 4 [102] Internal Water Dam
- \_\_\_\_\_ -89 2 [51] High External Water Dam

\* Regularly furnished unless otherwise specified.