



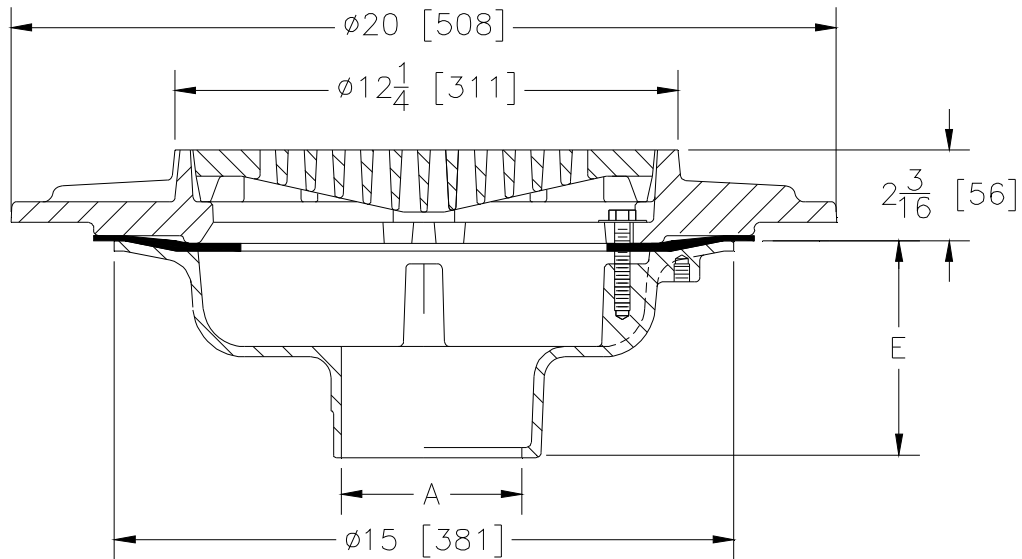
Z534-92

12[305] DIAMETER HEAVY-DUTY PARKING DECK DRAIN WITH SUPPORT FLANGE AND GASKET

SPECIFICATION SHEET

TAG _____

Dimensional Data (inches and [mm]) are Subject to Manufacturing Tolerances and Change Without Notice



A- Pipe Size In.	Approx. Wt. Lbs. [kg]	Grate Open Area Sq. In. [cm ²]
2-3-4-5-6 [51-76-102-127-152]	78 [35]	30 [194]
8-10 [203-254]	80 [36]	

ENGINEERING SPECIFICATION: ZURN Z534-92

12 [305] diameter heavy-duty parking deck drain with dura-coated cast iron body, bottom outlet, gasketed support flange, and heavy-duty slotted grate.

OPTIONS (Check/specify appropriate options)

PIPE SIZE

(Specify size/type) **OUTLET**

'E' BODY HT. DIM.

2-3-4-5-6-8-10 [51-76-102-127-152-203-254]	___ IC	Inside Caulk	5-1/4 [133]
2-3-4-6 [51-76-102-152]	___ IG	Inside Gasket	5-1/4 [133]
2-3-4-5-6-8-10 [51-76-102-127-152-203-254]	___ IP	Threaded	3-3/4 [95]
2-3-4-5-6-8-10 [51-76-102-127-152-203-254]	___ NH	No-Hub	5-1/4 [133]
2-3-4 [51-76-102]	___ NL	Neo-Loc	4-5/8 [117]

PREFIXES

- ___ Z D.C.C.I. Body and Top*
- ___ ZB D.C.C.I. Body with Polished Bronze Top (Add 3/16 [5] to 2 [51] Dim and 3/4 [19] To 12-1/4 [311] Dim.)
- ___ ZN D.C.C.I. Body with Polished Nickel Bronze Top (Add 3/16 [5] to 2 [51] Dim and 3/4 [19] To 12-1/4 [311] Dim.)

SUFFIXES

- ___ -C Underdeck Clamp
- ___ -G Galvanized Cast Iron
- ___ -HP Heel-Proof Grate
- ___ -SA Stabilizer Assembly (See Z1036)
- ___ -TC Neo-Loc Test Cap Gasket (2 [51]-4 [102] NL Bottom Outlet Only)
- ___ -TS Top Secured with Slotted Screws
- ___ -VP Vandal-Proof Secured Top
- ___ -XJ Expansion Joint (See Z190) (Use with IP Type Outlets)
- ___ -Y Sediment Bucket

* Regularly furnished unless otherwise specified.