

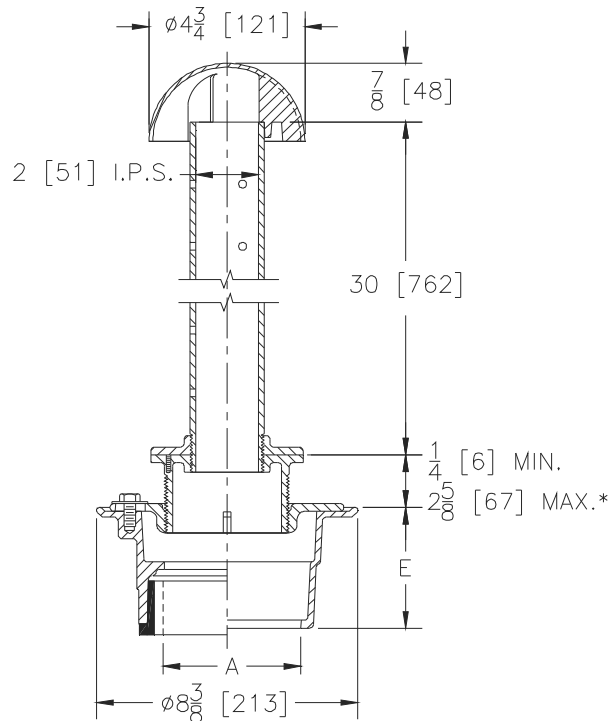


Z350-80
PLANTING AREA DRAIN
WITH 30 [762] STAINLESS STEEL STANDPIPE

SPECIFICATION SHEET

TAG _____

Dimensional Data (inches and [mm]) are Subject to Manufacturing Tolerances and Change Without Notice



'A' Pipe Size Inches [mm]	Approx. Wt. Lbs. [kg]
2,3,4 [51,76,102]	22 [10]

ENGINEERING SPECIFICATION: ZURNZN350-80

Planting area Drain, Dura-Coated cast iron body with bottom outlet and combination invertible membrane clamp, vertically adjustable nickel bronze head, floor flange, dome and 2" [51mm] diameter stainless steel standpipe 31" [787mm] with twelve 1/4" [6mm] perforations.

OPTIONS (Check/specify appropriate options)

PIPE SIZE

- 2,3,4 [51,76,102]
- 2,3,4 [51,76,102]
- 2 [51]
- 3 [76]
- 4 [102]
- 2,3,4 [51,76,102]
- 2,3,4 [51,76,102]

(Specify size/type) **OUTLET**

- ___ IC Inside Caulk
- ___ IG Inside Gasket
- ___ IP Threaded
- ___ IP Threaded
- ___ IP Threaded
- ___ NH No-Hub
- ___ NL Neo-Loc

'E' BODY HT. DIM.

- 3-7/8 [98]
- 3-7/8 [98]
- 2-3/8 [60]
- 2-5/8 [67]
- 2-7/8 [73]
- 3-7/8 [98]
- 3-3/4 [95]

PREFIXES

- ___ ZB D.C.C.I Body w/ Polished Brass Standpipe
- ___ ZN D.C.C.I Body w/ Polished Stainless Steel Standpipe*

SUFFIXES

- ___ -C Underdeck Clamp
- ___ -G Galvanized Cast Iron
- ___ -P Trap Primer Connection (Specify 1/2 [13] or 3/4 [19])
- ___ -PS Solid Standpipe
- ___ -SS Stainless Steel Mesh Screen over Dome

* Regularly furnished unless otherwise specified.