



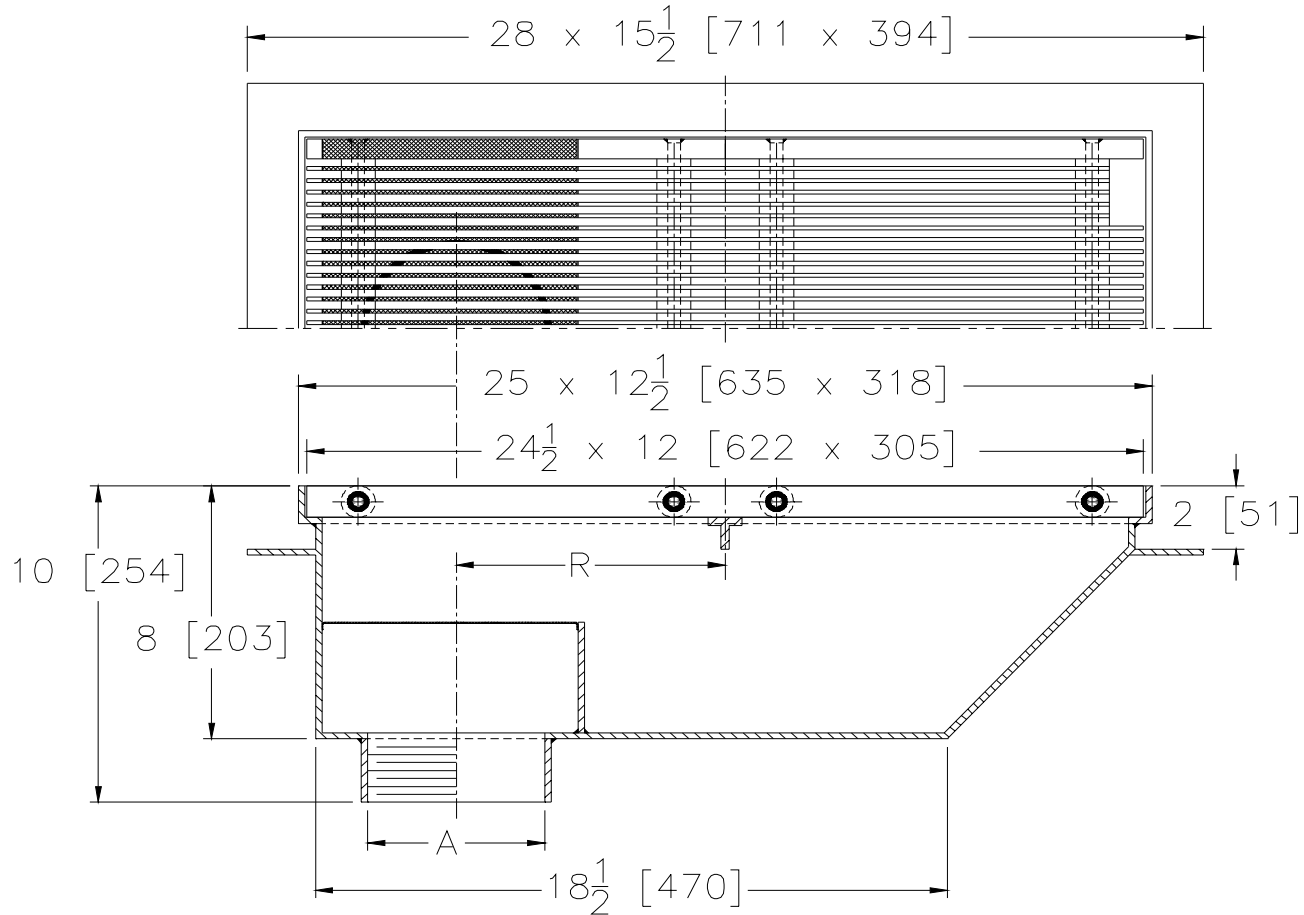
# Z1762-75

## KETTLE DRAIN W/ SOLIDS RETAINING BAFFLE & PERFORATED SCREEN

SPECIFICATION SHEET

TAG \_\_\_\_\_

Dimensional Data (inches and [ mm ]) are Subject to Manufacturing Tolerances and Change Without Notice



Dimensions in Inches		Approx. Weight. Lbs.[Kg.]	Grate Open Area Sq. In.[cm <sup>2</sup> ]
A-Pipe Size	R		
3-4 [76-102]	7 7/8 [200]	71 [32]	149 [961]
6 [152]	6 7/8 [175]		
8 [203]	5 7/8 [149]		

**ENGINEERING SPECIFICATION:** ZURN ZS1762-75 Type 304 (CF8) stainless steel fabricated body with solids retaining baffle, perforated screen and stainless steel two piece grate with 1/8 [3] bars on 3/8 [10] centers. One grate section with lift hole.

**OPTIONS** (Check/specify appropriate options)

**PIPE SIZE**

3-4-6-8 [76-102-152-203]  
3-4-6-8 [76-102-152-203]

**OUTLET** (Specify size/type)

\_\_\_ IP Threaded  
\_\_\_ NH No-Hub

**PREFIXES**

\_\_\_ **Z** Acid Resistant Epoxy Coated Steel Body with Stainless Steel Top.  
\_\_\_ **ZS** All Type 304 Fabricated Stainless Steel Body with Stainless Steel Top\*

REV.	DATE: 06/16/05	C.N. NO. 93549	
DWG. NO. P-15165		PRODUCT NO. Z1762-75	

\*REGULARLY FURNISHED UNLESS OTHERWISE SPECIFIED