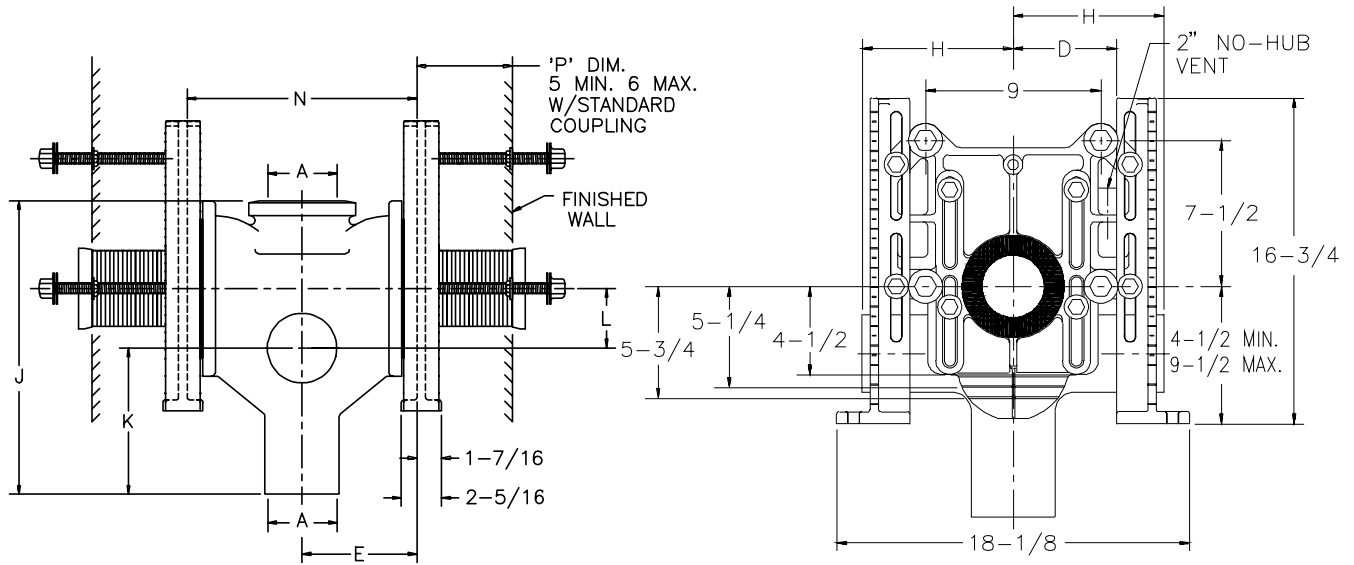




Z-1204-2HD ADJUSTABLE VERTICAL SIPHON JET-Hub & Spigot

TAG _____

Dimensions Subject to Manufacturing Tolerances



Product No.	Dimensions In Inches								Approx. Wt. Lbs.
	A	B	D	E	H	J	K	N	
Z-1204-2HD4	4	4	5	6-5/8	7-1/2	24	15-1/2	13-1/4	172
Z-1204-2HD54	5	4	5-1/2	6-5/8	7-3/4	18-1/2	9-5/8	13-1/4	177
Z-1204-2HD55	5	5	5-1/2	6-5/8	7-3/4	18-1/2	9-5/8	13-1/4	177
Z-1204-2HD64	6	4	6	7-1/8	8-1/4	24	15-1/4	14-1/4	182
Z-1204-2HD65	6	5	6	7-1/8	8-1/4	24	15-1/4	14-1/4	182

- Note:**
1. Min. 'P' Dim. Obtainable=2"
 2. Feet bolted to floor using min. 1/2 dia. bolts and back slots on carrier feet.

ENGINEERING SPECIFICATION: ZURN Z-1204-2HD () Adjustable, vertical siphon jet water closet "Rigid System" with () size Hub and Spigot connections. Complete with Dura-Coated cast iron right or left hand fitting, with 2" vent, adjustable gasketed face plate, universal floor mounted foot supports, corrosion resistant adjustable ABS coupling with integral test cap, fixture bolts, trim, and stud protectors and stud protectors. Rear anchor tie down, and bonded "Neo-Seal" gasket.

PRODUCT/DEFINITION

_____ **Z-1204-2HD** Hub & Spigot Stack, Double Inlets, (2) 4" Side Inlets, 2" Vent.

MIN.	L	MAX.
1-5/8		5-5/8

PREFIXES

- _____ **Z-** D.C.C.I. System with Zurn "ZZ" Adjustable Coupling
- _____ **ZQ-** D.C.C.I. System with NPT Face Plate, Non Adjustable Coupling

SUFFIXES

- _____ **-A** Auxiliary Support Assembly (For P-Dim. greater than 18")
- _____ **-B** Blowout Type Fixture Support
- _____ **-BC** Back Cleanout
- _____ **-CC** Cast Iron Coupling 6" Long
- _____ **-CL** Coupling Length Greater than 12" (Specify length if greater than 6")
- _____ **-F** Floor Mounted Back Outlet, Fixture Support
- _____ **-G** Galvanized Cast Iron
- _____ **-JJ** Two 2" Auxiliary Inlet
- _____ **-JL** 2" Left Hand Auxiliary Inlet
- _____ **-JR** 2" Right Hand Auxiliary Inlet
- _____ **-M** Auxiliary Foot Support (For P-Dim. 10"-18")
- _____ **-T** Threaded Stack Connection
- _____ **-VL** Left Hand Vent Connection
- _____ **-VP** Vandal Proof Trim
- _____ **-W** Adapter for Womens Urinal
- _____ **-29** Mechanical Test Cap Assembly (Previously Z-1210-29)
- _____ **-45** Finishing Frame for Siphon Jet System (For Blowout System specify -45-B) (Previously Z-1210-45)
- _____ **-50** Flush Valve Supply Support for W.C. (Previously Z-1210-50)
- _____ **-61** "ZZ" Coupling Wrench

*REGULARLY FURNISHED UNLESS OTHERWISE SPECIFIED

REV. B	DATE: 8/17/94	C.N. NO. 69939
DWG. NO. 56982	PRODUCT NO. Z-1204-2HD	