



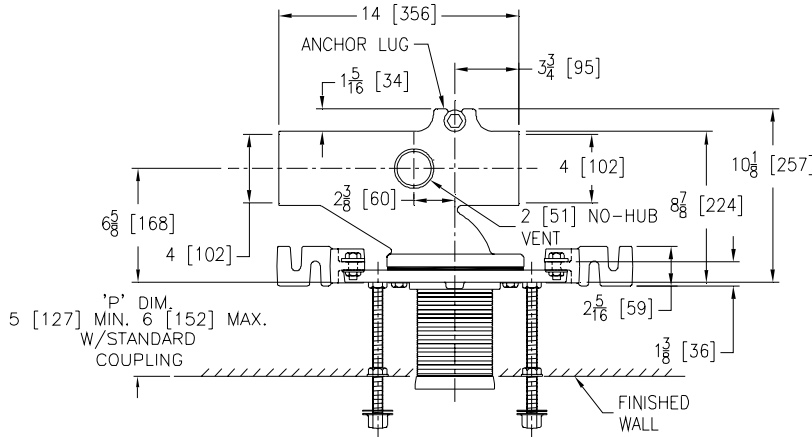
Z1203-108

SPECIFICATION SHEET

ADJUSTABLE HORIZONTAL SIPHON JET NO-HUB W/ UNI-STRUT FOOT & NARROW WALL FACEPLATE

TAG _____

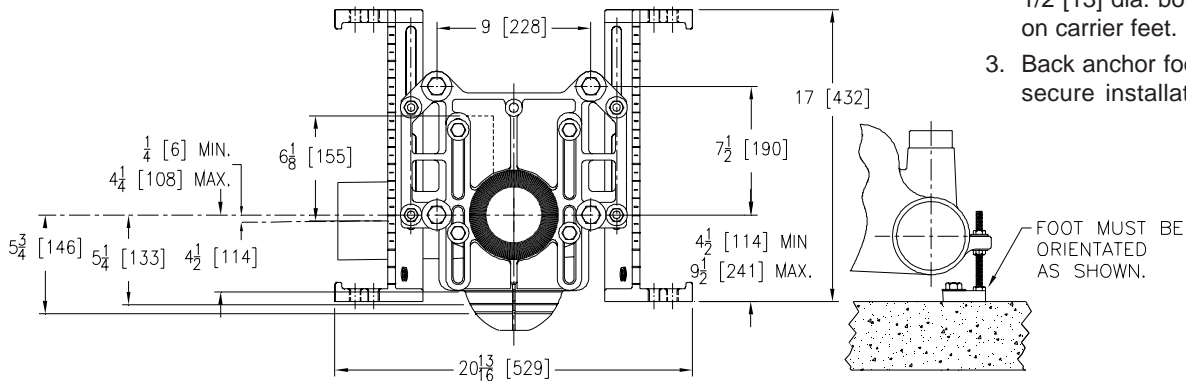
Dimensional Data (inches and [mm]) are Subject to Manufacturing Tolerances and Change Without Notice



Product Number	Approx. Wt. Lbs. [kg]
Z1203-108-NL4	67 [30]
Z1203-108-NR4	

Note:

1. Min. 'P' Dim. Obtainable=2 [51]
2. Feet bolted to floor using min. 1/2 [13] dia. bolts and back slots on carrier feet.
3. Back anchor foot required for secure installation.



ENGINEERING SPECIFICATION: ZURN Z1203-108

Adjustable, horizontal siphon jet water closet "Rigid System" with 4 [102] No-Hub connections. Complete with Dura-Coated cast iron right hand, left hand, or double main fitting, with 2 [51] vent, adjustable gasketed narrow wall faceplate, universal floor mounted foot supports, corrosion resistant adjustable ABS coupling with integral test cap, fixture bolts, trim, and stud protectors. Rear anchor tie down and bonded "Neo-Seal" gasket.

OPTIONS (Check/specify appropriate options)

- Z1203-108-NR4** 4 [102] No-Hub Right Hand Inlet with Flow to Left
- Z1203-108-NL4** 4 [102] No-Hub Left Hand Inlet with Flow to Right

PREFIXES

- ___ Z D.C.C.I. System with Zurn "ZZ" Adjustable Coupling*
- ___ ZQ D.C.C.I. System with NPT Faceplate, Non-Adjustable Coupling

SUFFIXES

- ___ -A Auxiliary Support Assembly (For 'P' Dim. Greater than 18 [457])
- ___ -B Blowout Type Fixture Support
- ___ -BC Back Cleanout
- ___ -CC Corrosion Resistant Cast Iron Coupling (6[152] to 12[305])
- ___ -CL Coupling Length Greater Than 12 [305] (Specified Length Required)
- ___ -F Floor Mounted, Back Outlet Fixture Support
- ___ -G Galvanized Cast Iron
- ___ -M Auxiliary Foot Support (for 'P' Dim. 10 [254]-18 [457])
- ___ -T Threaded Connection
- ___ -VP Vandal Proof Trim
- ___ -X3 3" [76] Foot Extension Assembly
- ___ -X4 4" [102] Foot Extension Assembly
- ___ -29 Mechanical Test Cap Assembly
- ___ -45 Finishing Frame for Siphon Jet System (for Blow Out System specify -45-B)
- ___ -50 Flush Valve Supply Support for Water Closets
- ___ -61 "ZZ" Coupling Wrench

*REGULARLY FURNISHED UNLESS OTHERWISE SPECIFIED

REV.	DATE: 08/23/07	C.N. NO. 97202
DWG. NO. P-15468		PRODUCT NO. Z1203-108