



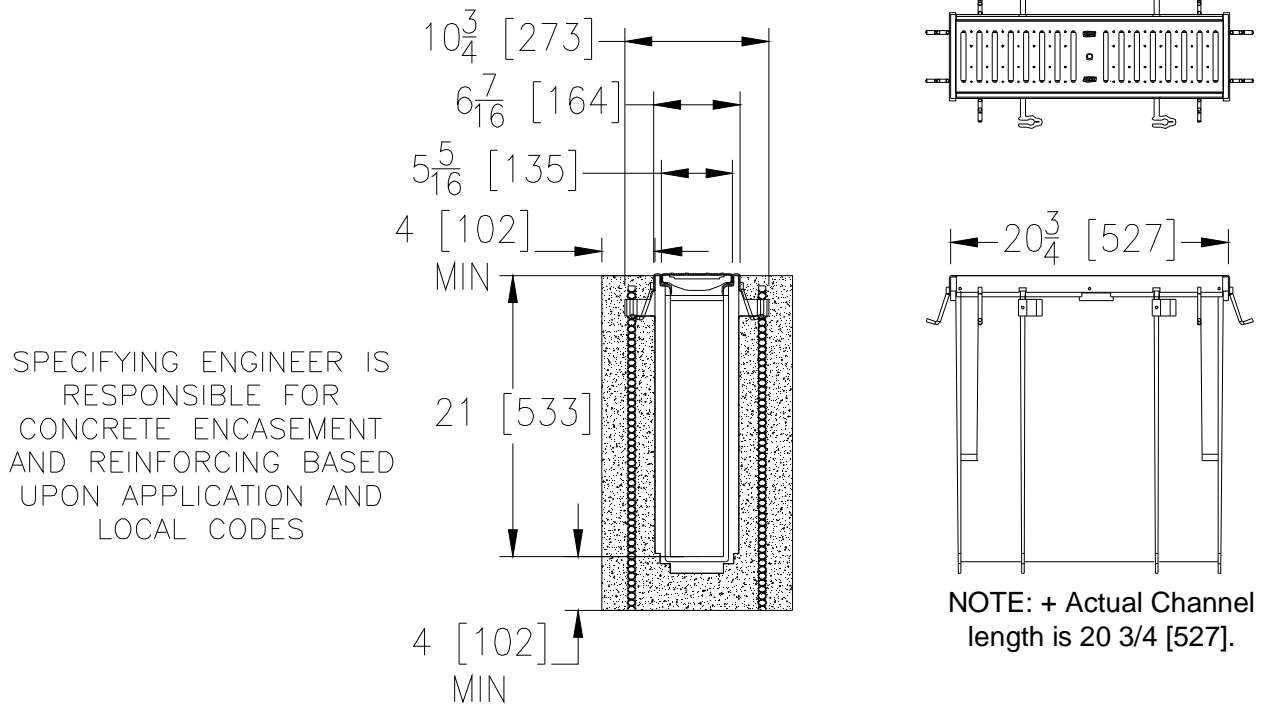
Z887-6-HDS-LD

6-7/16 [164] WIDE REVEAL BY 20-3/4 [527] LONG
CATCH BASIN WITH HEAVY DUTY STAINLESS STEEL
FRAME ASSEMBLY WITH LIGHT DUTY GRATES

SPECIFICATION SHEET

TAG _____

Dimensional Data (inches and [mm]) are Subject to Manufacturing Tolerances and Change Without Notice



ENGINEERING SPECIFICATION: Zurn Z887-6-HDS-LD Catch Basin shall be 6 [152] long, 20 [508] wide reveal and 20 [508] deep. The body shall be made of 0% water absorbent High Density Polyethylene (HDPE). Shall mechanically lock into the concrete surround a minimum of every 10 [254]. Catch basin shall weigh less than 17 bs.[7.7kg] per linear foot. Catch basin shall have rebar clips standard to secure basin in its final location. Shall be provided with standard RFS grates that lock down to frame. Zurn 6 [152] wide reveal Reinforced Stainless Steel Grate reinforcing conforming to ASTM specification A351, Grade CF8 (type 304), fabricated grate is rated class B per the DIN EN1433 top load classification. Supplied in 20 [508] nominal lengths with 3/8 [10] wide slots, and 3/4 [19] bearing depth. Grate has an open area of 13.68 sq. in per ft. [28,956 sq. mm per meter]. The 0.105 [2.66] thick Heavy-Duty Stainless Steel Frame Assembly conforms to ASTM specification A-240 (type 304), with 4 - 4 [102] long concrete anchors per basin. Grate lockdown bars are to be integral to the frame. All welds must be performed by a certified welder per ASTM standard AWS D1.6. Frames Shall be produced in the U.S.A. The System loading is based upon the grate being used.

PREFIX OPTIONS (Check/specify appropriate options)

___ Z 6-inch by 20-inch High Density Polyethylene (HDPE)*

SUFFIX OPTIONS (Check/specify appropriate options)

Outlet Adapters Add/Each

___ -E3	3 [76] No-Hub End Outlet	___ -U3	3 [76] No-Hub Bottom Outlet
___ -E4	4 [102] No-Hub End Outlet	___ -U4	4 [102] No-Hub Bottom Outlet
___ -E6	6 [152] No-Hub End Outlet	___ -U6	6 [152] No-Hub Bottom Outlet

Frame Options

___ -CBF Black Acid Resistant Coated Top Frame
___ -CWF White Acid Resistant Coated Top Frame

Grate Options (Load Classifications are per DIN EN1433)

___ -GG Fiberglass Grate - Class A
___ -HPP Heel-Proof Polyethylene Grate - Class A
___ -RFS Reinforced Stainless Steel Slotted Grate - Class B *
___ -RPS Reinforced Stainless Steel Perforated Grate - Class B

Miscellaneous Options

___ -IA Inlet Adapter - Z886

Decorative Grate Options (Load Classifications are per DIN EN1433)

___ -BCD Bronze Circular Decorative Grate - Class A
___ -BDD Bronze Diagonal Decorative Grate - Class A
___ -DCD Ductile Iron Circular Decorative Grate - Class C
___ -DDD Ductile Iron Diagonal Decorative Grate - Class A
___ -DOG Ductile Iron Decorative Grate - Class A
___ -DWV Ductile Wave Decorative Grate - Class A
___ -HPB Heel-Proof Bronze Slotted Grate - Class A
___ -HPS Heel-Proof Stainless Steel Slotted Grate - Class A
___ -SCD Stainless Steel Circular Decorative Grate - Class B
___ -SDD Stainless Steel Diagonal Decorative Grate - Class B
___ -SMG Stainless Steel Mesh Grate - Class A
___ -SOG Stainless Steel Decorative Grate - Class B

MADE in the U.S.A. (Load Classifications are per DIN EN1433)

___ -FS Fabricated Stainless Steel Slotted Grate - Class A
___ -PS Perforated Stainless Steel Grate - Class A
___ -SBG-L Stainless Steel Bar Grate - Class B

Decorative MADE in the U.S.A. (Load Classifications are per DIN EN1433)

___ -BZ Bronze Decorative Grate - Class A
___ -NBZ Nickel Bronze Decorative Grate - Class A
___ -PSR Perforated Stainless Steel Raised Grate - Class A
___ -SWG Stainless Steel Wire Grate - Class A

Miscellaneous Options

___ -DB Bottom Dome Strainer
___ -VP Vandal-Proof Lockdown
___ -Y Sediment Bucket

*REGULARLY FURNISHED UNLESS OTHERWISE SPECIFIED

REV. -	DATE: 8/31/10	C.N. NO. 111633
DWG. NO. 302149	PRODUCT NO. Z887-6-HDS-LD	