



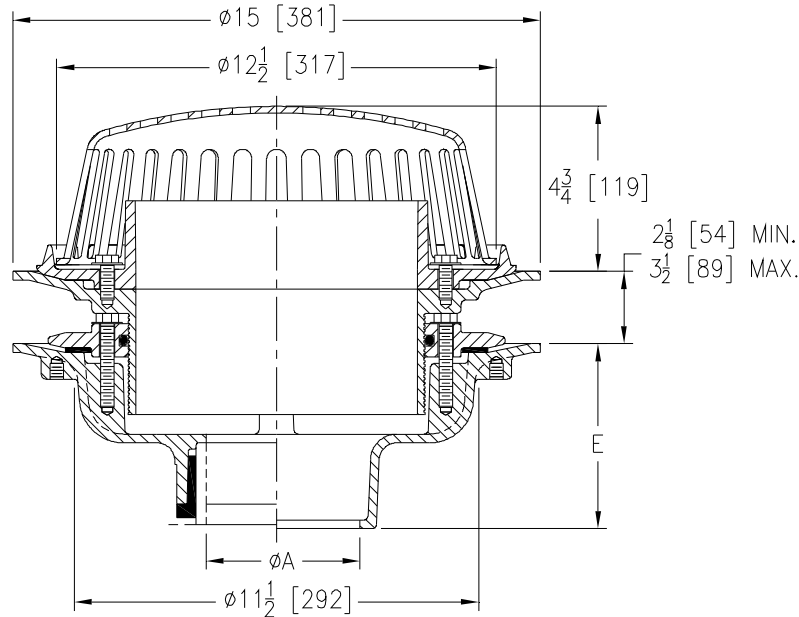
Z100-EA-W2

15 [381] DIAMETER MAIN ROOF DRAIN W/ ADJUSTABLE EXTENSION AND 2 [51] HIGH INTERNAL WATER DAM

SPECIFICATION SHEET

TAG _____

Dimensional Data (inches and [mm]) are Subject to Manufacturing Tolerances and Change Without Notice



A Pipe Size in [mm]	Approx Wt. lbs [kg]	Dome Open Area in ² [cm ²]
2,3,4 [51,76,102]	38 [17]	103 [665]
6 [152]	39 [17]	
8 [203]	40 [18]	

ENGINEERING SPECIFICATION: ZURNZ100-EA-W2

15" [381mm] Diameter roof drain. Dura-Coated cast iron body with combination membrane flashing clamp/gravel guard with 2" [51mm] internal water dam, adjustable extension, secondary clamping collar with o-ring and low silhouette Poly-Dome strainer.

OPTIONS (Check/specify appropriate options)

PIPE SIZE

- 3,4,6 [76,102,152]
- 2,3,4,6, 8 [51,76,102,152,203]
- 2,3,4,6, 8 [51,76,102,152,203]
- 2,3,4 [51,76,102]
- 6 [152]

(Specify size/type) OUTLET

- _____ IC Inside Caulk
- _____ IP Threaded
- _____ NH No-Hub
- _____ NL Neo-Loc
- _____ NL Neo-Loc

E BODY HT. DIM.

- 5-1/4 [133]
- 3-3/4 [95]
- 5-1/4 [133]
- 4-5/8 [117]
- 5-7/16 [138]

PREFIXES

- _____ Z D.C.C.I. Body with Poly-Dome*
- _____ ZA D.C.C.I. Body with Aluminum Dome
- _____ ZC D.C.C.I. Body with Cast Iron Dome
- _____ ZRB D.C.C.I. Body with Plain Bronze Dome

SUFFIXES

- | | |
|--|---|
| _____ -AC Angular Underdeck Clamp | _____ -HD 6-3/4 [171] High Aluminum Dome (148 sq. in. [955 cm ²] open area) |
| _____ -AR Acid Resistant Epoxy Coated | _____ -R Roof Sump Receiver |
| _____ -C Underdeck Clamp | _____ -SC Secondary Clamping Collar |
| _____ -DE Deck Extension (Includes Deck Plate -DP) | _____ -SS Stainless Mesh Screen Over Dome |
| _____ -DP Top-Set® Roof Deck Plate (Replaces both -C and -R) | _____ -ST Dome w/ Solid Top (ZA and ZC Only) |
| _____ -DR Top-Set® Drain Riser | _____ -TC Neo-Loc Test Cap Gasket (2,3,4 [51,76,102] NL Bottom Outlet Only) |
| _____ -E Static Extension 1 [25] thru 4 [102] (Specify Ht.) | _____ -VP Vandal Proof Secured Top |
| _____ -EB Top-Set® Adjustable Extension Assembly | _____ -84 Stainless Steel Perforated Gravel Guard |
| _____ -G Galvanized Cast Iron | _____ -90 90° Threaded Side Outlet Body |

* Regularly furnished unless otherwise specified.