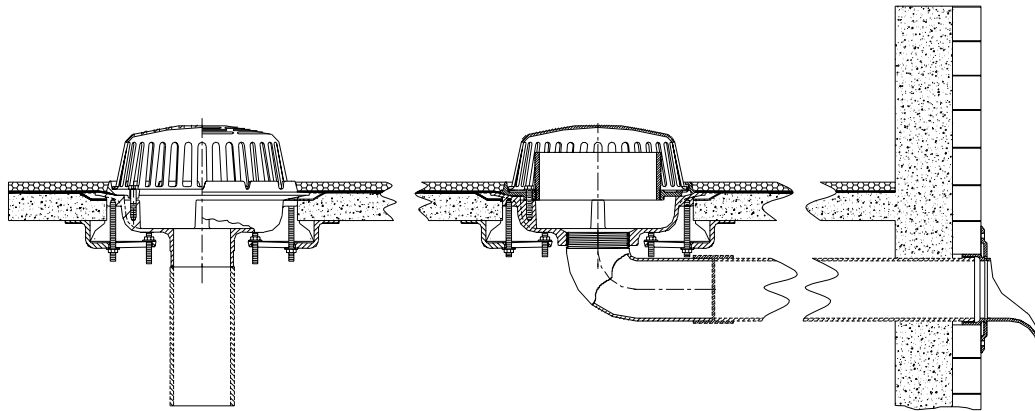


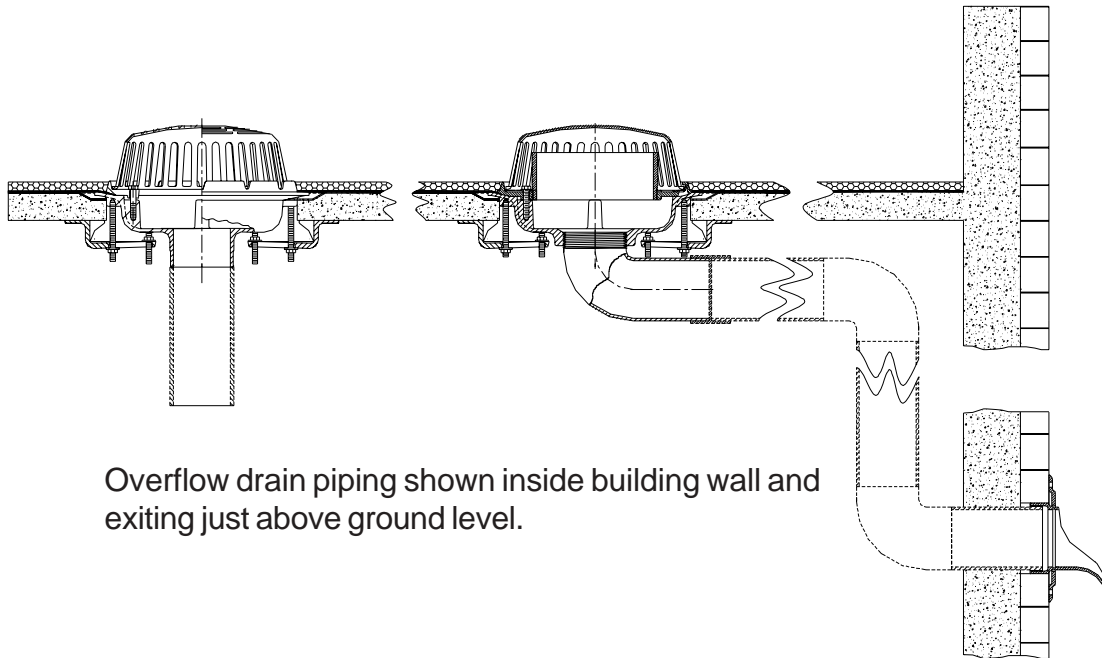


TYPICAL INSTALLATION FOR Z100-W3 COMBINATION MAIN ROOF AND OVERFLOW DRAIN WITH DOWNSPOUT NOZZLE

Dimensional Data (inches and [mm]) are Subject to Manufacturing Tolerances and Change Without Notice



Overflow drain piping exiting building wall below roof structure.



Overflow drain piping shown inside building wall and exiting just above ground level.

Z100-W3 CONCRETE OR STEEL DECK FOR OVERFLOW APPLICATIONS

Drain installed in a concrete or steel deck. Drain is illustrated in concrete deck with underdeck clamp (-C), roof sump receiver (-R), 3 [76] high internal water dam (-W3), Z199 downspout nozzle w/(-SS) stainless steel removable screen, and one rain proof dome. The (-W3) featured is used where an overflow drain is required.

Form # RD42

Date: 7/31/03

C.N. No. 91138

Rev.

ZURN INDUSTRIES, INC. ♦ SPECIFICATION DRAINAGE OPERATION ♦ 1801 Pittsburgh Ave. ♦ Erie, PA 16514

Phone: 814/455-0921 ♦ Fax: 814/454-7929 ♦ World Wide Web: www.zurn.com

In Canada: ZURN INDUSTRIES LIMITED ♦ 3544 Nashua Drive ♦ Mississauga, Ontario L4V1L2 ♦ Phone: 905/405-8272 Fax: 905/405-1292