

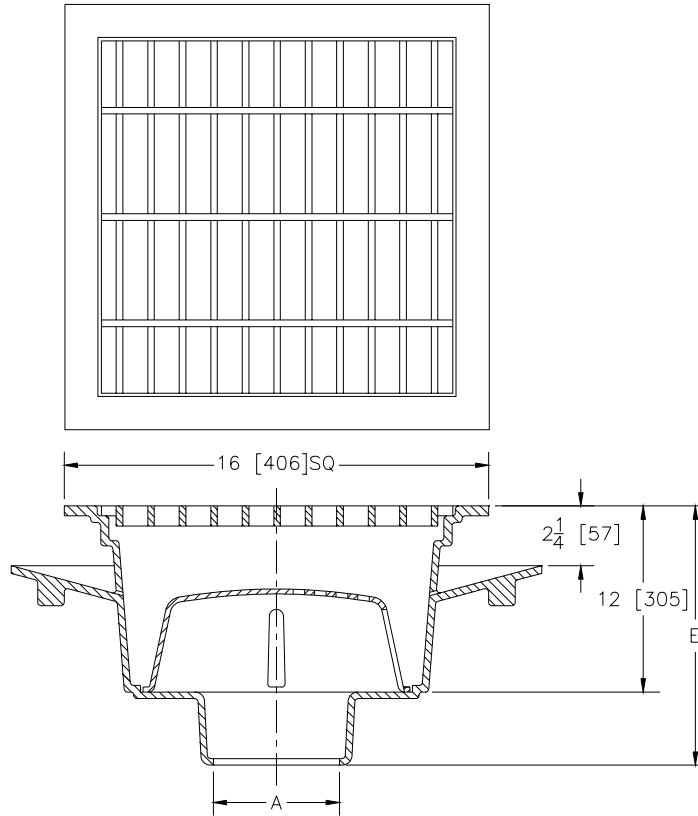


Z-1926-76
16" X 16" A.R.C. SANI-FLOR
RECEPTOR 12" SUMP DEPTH

SPECIFICATION SHEET

TAG _____

Dimensional Data (inches and [mm]) are Subject to Manufacturing Tolerances and Change Without Notice



A- Pipe Size In.[cm]	Approx. Wt. Lbs. [kg]	Grate Open Area Sq. In. [cm ²]
2-3-4-6[52-76-102-154]	150[68]	105[677]

ENGINEERING SPECIFICATION: ZURN Z-1926-76 Sani-Flor Receptor 16" x 16" x 12"[406 x 406 x 305] deep cast iron body with seepage pan and A.R.C. steel bar grate, with white acid resisting coated interior and top, complete with aluminum anti-splash interior bottom dome strainer.

OPTIONS (Check/specify appropriate options)

OUTLET

___ **IC** Inside Caulk

PIPE SIZE (Specify size)

___ 2", 3", 4", 6"[52, 76, 102, 154]

'E' BODY HT. DIMENSION

Z **ZN**

14-7/8"[378] 15-1/8"[384]

PREFIXES

___ **Z-** Cast Iron Body with White A.R.C. Interior*

___ **ZN-** Cast Iron Body with White A.R.C. Interior, 16-1/2" Square N.B. Frame and Stainless Steel Grate

SUFFIXES

- ___ **-C** Clamp Collar
- ___ **-KC** Seepage Flange w/Seepage Holes W/Clamp Collar
- ___ **-LD** (Less) Bottom Dome Strainer
- ___ **-P** 1/2"[13] Trap Primer Connection
- ___ **-1** (Less) Grate
- ___ **-2** 1/2 Grate
- ___ **-3** 3/4 Grate
- ___ **-11** Vandal Proof Secured Grate
- ___ **-23** Aluminum Bucket
- ___ **-25** White A.R.E. Bucket
- ___ **-31** Stl. Steel Mesh Liner for Bucket
- ___ **-33** White A.R.E. Anti-Splash Bottom Dome Strainer

REV. A	DATE: 9/6/00	C.N. NO. 85850
DWG. NO. P-13839	PRODUCT NO. Z-1926-76	

*REGULARLY FURNISHED UNLESS OTHERWISE SPECIFIED