



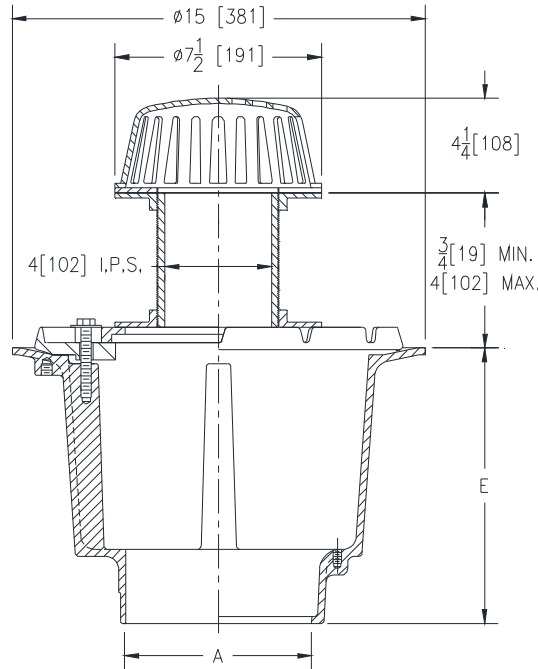
Z104-AW

15 [381] DIAMETER DEEP SUMP ROOF DRAIN WITH
ADJUSTABLE WATER LEVEL REGULATOR

SPECIFICATION SHEET

TAG _____

Dimensional Data (inches and [mm]) are Subject to Manufacturing Tolerances and Change Without Notice



A- Pipe Size In. [mm]	Approx. Wt. Lbs. [kg]	Dome Open Area Sq. In. [cm ²]
2, 3, 4 [51, 76, 102]	46 [21]	103 [665]
6, 8 [152, 203]		

ENGINEERING SPECIFICATION: ZURN Z104-AW
15" [381mm] Diameter roof drain. Dura-Coated cast iron deep sump body, with combination membrane flashing clamp/gravel guard, adjustable stand pipe and low silhouette cast iron dome.

OPTIONS (Check/specify appropriate options)

PIPE SIZE

3, 4, 6, 8 [76, 102, 152, 203]
3, 4 [76, 102]

(Specify size/type) **OUTLET**

_____ NH No-Hub
_____ NL Neo-Loc

'E' BODY HT. DIM.

10 [254]
9-5/16 [237]

PREFIXES

_____ ZC D.C.C.I. Body with Cast Iron Dome*

SUFFIXES

- _____ -AC Angular Underdeck Clamp
- _____ -AR Acid Resistant Epoxy Coated Finish
- _____ -C Underdeck Clamp
- _____ -DX Dex-O-Tex Flange
- _____ -E Static Extension 1 [25] thru 4 [102] (Specify Ht)
- _____ -EA Adjustable Extension Assembly
(2-1/8 [54] thru 3-1/2 [89])
- _____ -G Galvanized Cast Iron
- _____ -R Roof Sump Receiver
- _____ -SC Secondary Clamping Collar
- _____ -SS Stainless Steel Mesh Screen Over Dome
- _____ -VP Vandal Proof Secured Top
- _____ -84 Stainless Steel Perforated Gravel Guard

* Regularly furnished unless otherwise specified.