



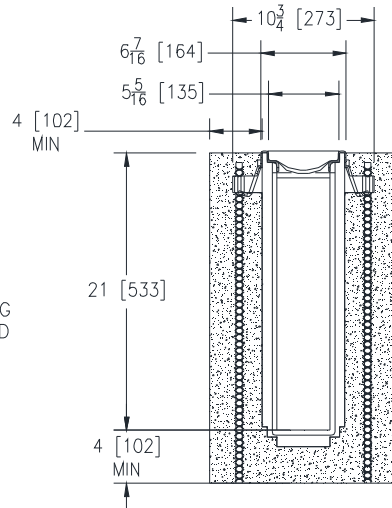
Z887-6-HDS

6-7/16 [164] WIDE REVEAL BY 20 [508]
LONG CATCH BASIN W/HEAVY-DUTY
STAINLESS STEEL FRAME ASSEMBLY

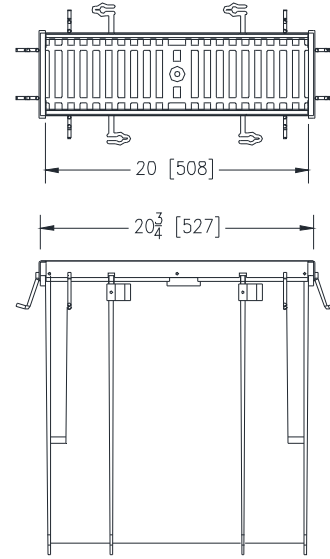
SPECIFICATION SHEET

TAG _____

Dimensional Data (inches and [mm]) are Subject to Manufacturing Tolerances and Change Without Notice



SPECIFYING ENGINEER IS RESPONSIBLE FOR CONCRETE ENCASEMENT AND REINFORCING BASED UPON APPLICATION AND LOCAL CODES



NOTE: + Actual Channel length is 20 3/4 [527].

ENGINEERING SPECIFICATION: Zurn Z887-6-HDS

Catch Basin shall be 6-7/16 [164] wide reveal x 20 [508] long and 20 [508] deep. The body shall be made of 0% water absorbent High Density Polyethylene (HDPE). Shall mechanically lock into the concrete surround a minimum of every 10 [254]. Catch basin shall weigh less than 17 bs.[7.7kg] per linear foot. Catch basin shall have rebar clips standard to secure basin in its final location. Shall be provided with standard SBG grates that lock down with lockdown bars to the basin. Zurn 6 [152] wide reveal Stainless Steel cast Bar Grate conforming to ASTM specification A351, Grade CF8 (type 304), cast grate is rated class E per the DIN EN1433 top load classification. Supplied in 20 [508] nominal lengths with 5/16 [8] wide slots, and 3/4 [19] bearing depth. Grate has an open area of 28.76 sq. in per ft. [60,860 sq. mm per meter]. The .105 [2.66] thick Heavy-Duty Stainless Steel Frame Assembly conforms to ASTM specification A-240 (type 304), with 4 - 4 [102] long concrete anchors per basin. All welds must be performed by a certified welder per ASTM standard AWS D1.6. Frames Shall be produced in the U.S.A.

PREFIX OPTIONS (Check/specify appropriate options)

___ Z 6-inch by 20-inch High Density Polyethylene (HDPE)*

SUFFIX OPTIONS (Check/specify appropriate options)

Outlet Adapters Add/Each

___ -E3	3 [76]	No-Hub End Outlet	___ -U3	3 [76]	No-Hub Bottom Outlet
___ -E4	4 [102]	No-Hub End Outlet	___ -U4	4 [102]	No-Hub Bottom Outlet
___ -E6	6 [152]	No-Hub End Outlet	___ -U6	6 [152]	No-Hub Bottom Outlet

Grate Options (Load Classifications are per DIN EN1433)

___ -BDC	Black Acid Resistant Epoxy Coated Ductile Grate - Class C
___ -BDE	Black Acid Resistant Epoxy Coated Ductile Grate - Class E
___ -DBG	Ductile Iron Cast Bar Grate - Class C
___ -DC	Ductile Iron Solid Cover - Class C
___ -DGC	Ductile Iron Slotted Grate - Class C
___ -DGE	Ductile Iron Slotted Grate - Class E
___ -HPD	Heel-Proof Ductile Slotted Grate - Class C
___ -HPDE	Heel-Proof Ductile Slotted Grate - Class E
___ -RFSC	Reinforced Slotted Stainless Steel Grate - Class C
___ -RPSC	Reinforced Perforated Stainless Steel Grate - Class C
___ -RPSRC	Reinforced Perforated Stainless Steel Reversed Punch Grate - Class C

Decorative Grate Options

(Load Classifications are per DIN EN1433)

___ -SBG Stainless Bar Grate - Class E *

Miscellaneous Options

___ -IA Inlet Adapter - Z886

MADE in the U.S.A. (Load Classifications are per DIN EN1433)

___ -BDE-USA	Black Acid Resistant Epoxy Coated Ductile Grate - Class E
___ -DCE-USA	Ductile Iron Solid Cover - Class E
___ -DGC-USA	Ductile Iron Slotted Grate - Class C
___ -DGE-USA	Ductile Iron Slotted Grate - Class E
___ -PPC	Plastic Perforated Grate - Class C

Miscellaneous Options (MADE in the U.S.A.)

___ -DB	Bottom Dome Strainer
___ -VP	Vandal-Proof Lockdown
___ -Y	Sediment Bucket

* Regularly furnished unless otherwise specified.

Zurn Industries, LLC | Specification Drainage Operation

1801 Pittsburgh Avenue, Erie, PA U.S.A. 16502 · Ph. 855-663-9876, Fax 814-454-7929

In Canada | Zurn Industries Limited

3544 Nashua Drive, Mississauga, Ontario L4V 1L2 · Ph. 905-405-8272, Fax 905-405-1292

www.zurn.com

Rev. C

Date: 11/04/14

C.N. No. 131887

Prod. | Dwg. No. Z887-6-HDS