



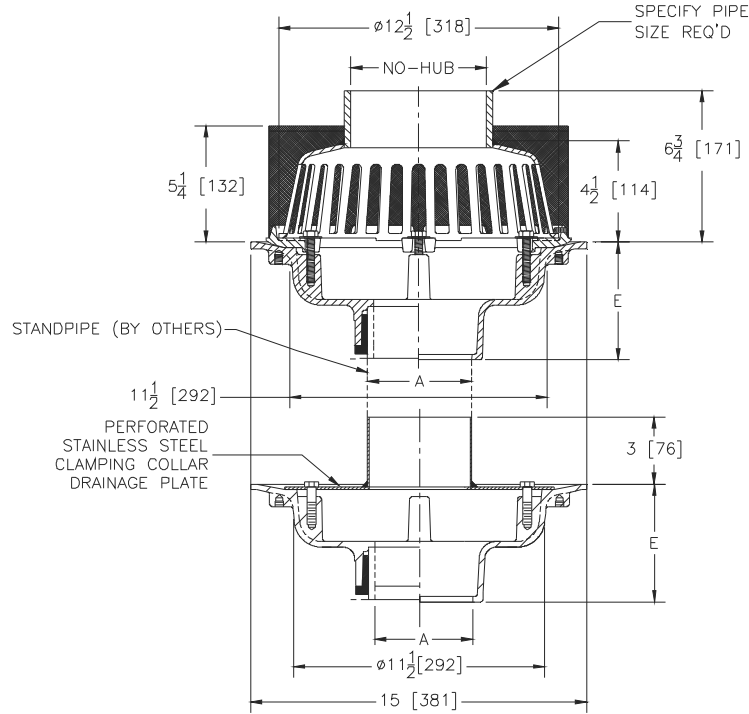
Z100-307

15 [381] DIAMETER ROOF DRAIN W/NO-HUB
STANDPIPE CONNECTIONS, STAINLESS STEEL MESH
OVER DOME, AND LOWER BODY

SPECIFICATION SHEET

TAG _____

Dimensional Data (inches and [mm]) are Subject to Manufacturing Tolerances and Change Without Notice



A Pipe Size In. [mm]	Approx. Wt. Lbs. [kg]	Dome Open Area Sq. In. [cm ²]
2,3,4 [51,76,102]	52 [24]	103 [665]
5,6 [127,152]	54 [24]	

ENGINEERING SPECIFICATION: ZURN Z100-307

15" [381mm] Diameter upper and lower roof drain bodies. Dura-Coated cast iron bodies with combination membrane flashing clamp/gravel guard, secured low silhouette solid top dome with no-hub standpipe connection, and stainless steel mesh liner. Lower body with perforated stainless steel plate and no-hub adaptor.

OPTIONS (Check/specify appropriate options)

PIPE SIZE

- 2, 3, 4, 5, 6 [51, 76, 102, 127, 152]
- 2, 3, 4, 5, 6 [51, 76, 102, 127, 152]
- 2, 3, 4, 5, 6 [51, 76, 102, 127, 152]
- 2,3,4 [51,76,102]
- 6 [152]

(Specify size/type) OUTLET

- ___ IC Inside Caulk
- ___ IP Threaded
- ___ NH No-Hub
- ___ NL Neo-Loc
- ___ NL Neo-Loc

E BODY HT. DIM.

- 5-1/4 [133]
- 3-3/4 [95]
- 5-1/4 [133]
- 4-9/16 [116]
- 5-7/16 [112]

PREFIXES

- ___ ZC D.C.C.I. Body with Cast Iron Dome*

SUFFIXES

- | | |
|---|---|
| ___ -AC Angular Underdeck Clamp (Lower Body) | ___ -EB Top-Set® Adjustable Extension Assembly (Lower Body) |
| ___ -AR Acid Resistant Epoxy Coated Cast Iron | ___ -G Galvanized Cast Iron |
| ___ -C Underdeck Clamp (Lower Body) | ___ -GD Galvanized Cast Iron Dome (ZC Only) |
| ___ -DE Deck Extension | ___ -R Roof Sump Receiver (Lower Body) |
| ___ -DP Top-Set® Deck Plate (Lower Body) | ___ -SC Secondary Clamp Collar |
| ___ -DR Top-Set® Drain Riser | ___ -TC Neo-Loc Test Cap Gasket |
| ___ -DX Dex-o-tex Flange (Upper Body) | ___ -84 Stainless Steel Perforated Gravel Guard |
| ___ -E Static Extension 1 [25] thru 4 [102] (Specify Ht.) | ___ -85 Stainless Steel Perforated Extension |
| ___ -EA Adjustable Extension Assembly | ___ -90 90° Threaded Side Outlet Body |
| 2 1/8 [54] thru 3 1/2 [89] | (2, 3, 4, 5, 6, [51, 76, 102, 127, 152] Lower Body) |

* Regularly furnished unless otherwise specified.