



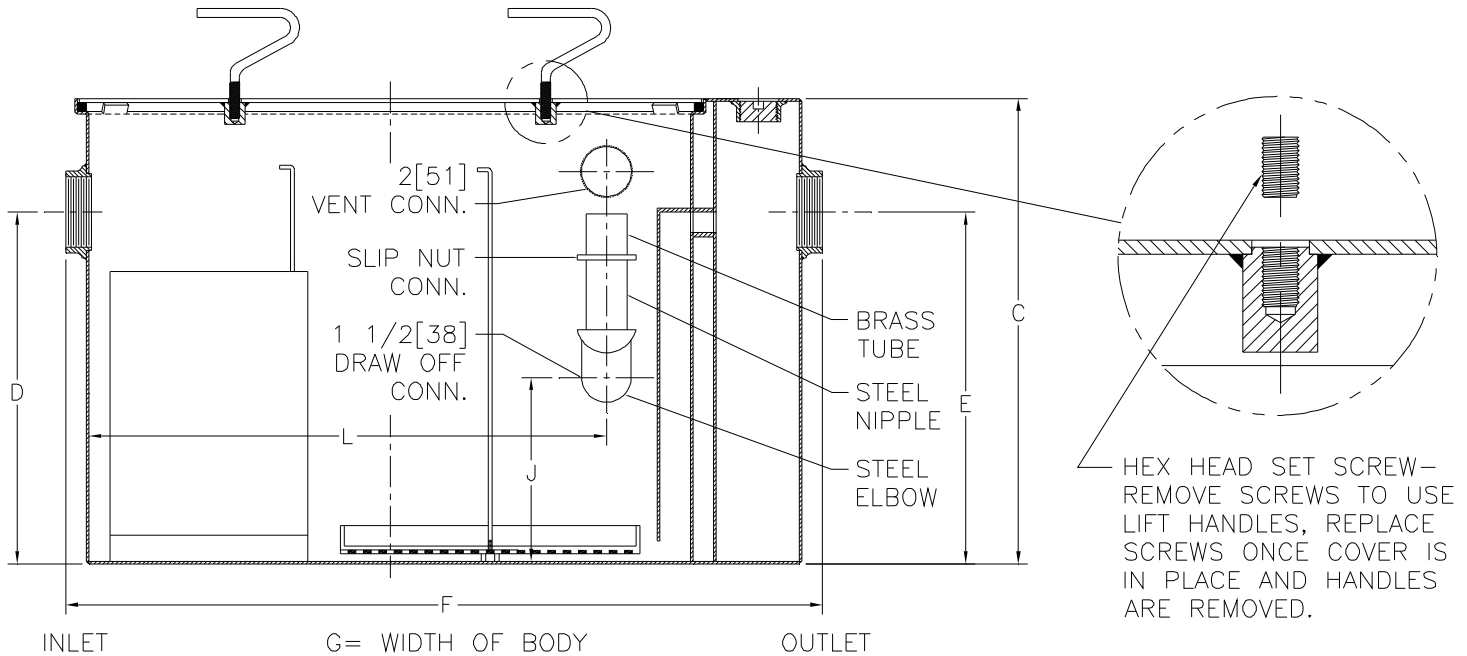
Z1188-163

SPECIFICATION SHEET

SIZE 250 LARGE CAPACITY OIL INTERCEPTOR WITH INTEGRAL EXTENSION AND HEAVY-DUTY COVER

TAG _____

Dimensional Data (inches and [mm]) are Subject to Manufacturing Tolerances and Change Without Notice



Extension Designation -E	FlowRate G.P.M. [L/min.]	Inlet/Outlet Size	Water Capacity Gal. [L]	No. of Covers	C	D/E	F	G	J	L
E 38 3/16	250 [946]	6 [152]	460 [1741]	2	79 3/16 [2011]	36 [914]	71 [1803]	51 3/8 [1305]	23 3/8 [594]	56 5/8 [1438]

ENGINEERING SPECIFICATION: ZURN Z1188-163

Large capacity Acid Resistant Coated interior and exterior fabricated steel oil interceptor with integral extension, bronze cleanout plug and visible double wall trap seal, removable combination pressure equalizing/flow diffusing baffle and sediment bucket, horizontal baffle, adjustable oil drawoff and vent connections either side. Complete with secured, gasketed, non-skid heavy-duty traffic cover rated at 10,000 lbs. [4536 kg.] maximum safe live load with removable lift handles and flow control fitting. Regularly furnished with inlet and outlet in high position.

OPTIONS (Check/specify appropriate options)

PREFIXES

___ Z Acid Resistant Coated Fabricated Steel*

SUFFIXES

___ -K Anchor flange 1 3/4 [44] down from top and 2 [51] wide.
___ -KC Anchor flange 1 3/4 [44] down from top and 2 [51] wide with clamp collar.

REV.	DATE: 03/17/10	C.N. NO. 110852
DWG. NO. P-15862	PRODUCT NO. Z1188-163	

*REGULARLY FURNISHED UNLESS OTHERWISE SPECIFIED