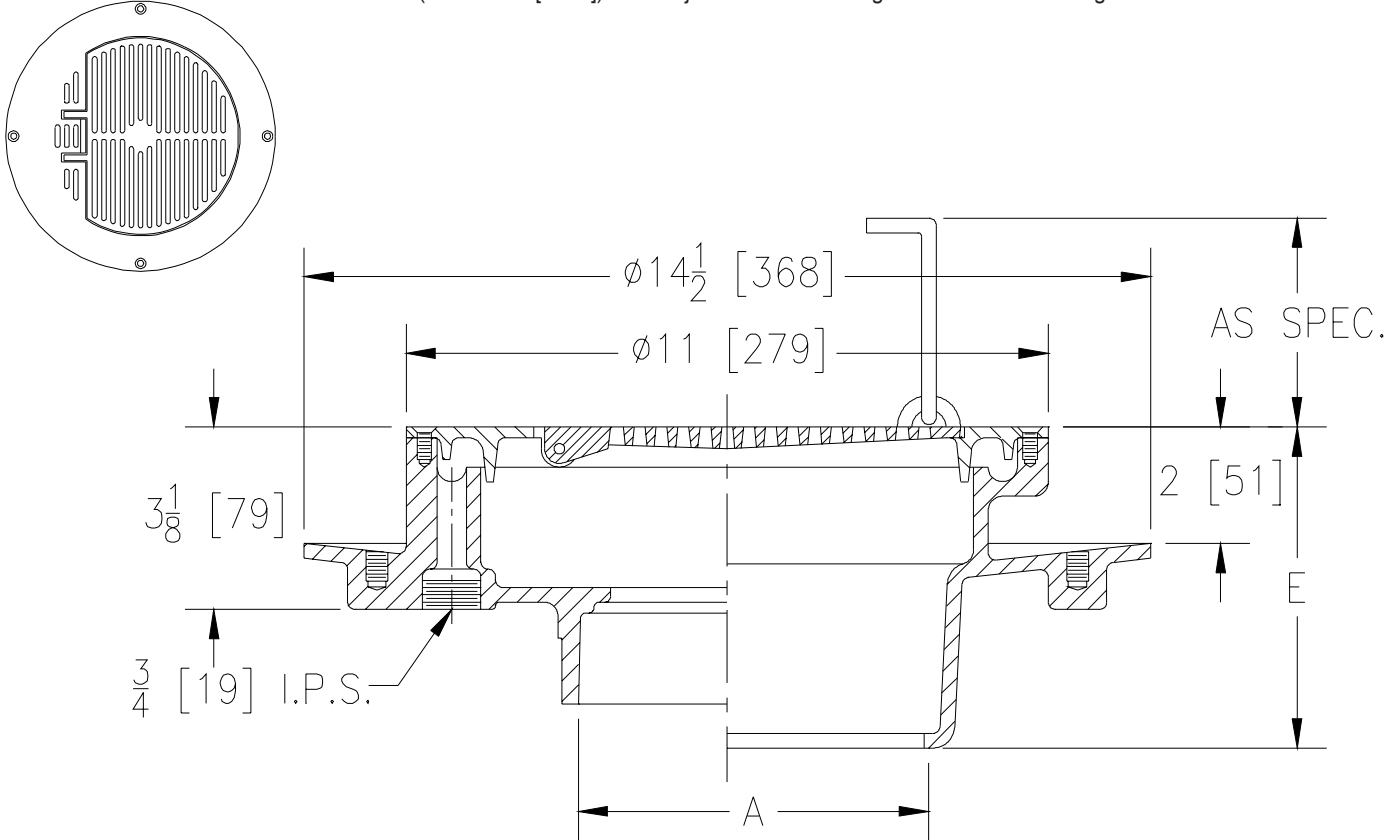




Z-310-80
THOROFLUSH DRAIN

TAG _____

Dimensional Data (inches and [mm]) are Subject to Manufacturing Tolerances and Change Without Notice



A-Pipe Size Inches	Approx. Wt. Lbs. [kg]	Grate Open Area Sq. In. [cm ²]
2-3-4-6 [50-75-100-150]	20 [9]	18 [116]

ENGINEERING SPECIFICATION: ZURN ZN-310-80
11 [279] Top Thoroflush Drain, cast iron body with acid resistant epoxy coated exterior and interior, bottom outlet, seepage pan, nickel bronze flushing rim top and slotted hinged grate with lift handle.

OPTIONS (Check/specify appropriate options)

PIPE SIZE	(Specify size/type) OUTLET	'E' BODY HT. DIM.
2, 3, 4, 6 [50, 75, 100, 150]	_____ IC Inside Caulk	5 1/2 [140]
2, 3, 4, 6 [50, 75, 100, 150]	_____ IG Inside Caulk w/Sealtrol Gskt.	5 1/2 [140]
2, 3, 4, 6 [50, 75, 100, 150]	_____ IP Threaded	3 1/8 [79]
2, 3, 4 [50, 75, 100]	_____ NL Neo-Loc	4 5/8 [117]

PREFIXES

- _____ ZB- Cast Iron Body w/A.R.C. Interior and Exterior w/Polished Bronze Grate
- _____ ZN- Cast Iron Body w/A.R.C. Interior and Exterior w/Polished Nickel Bronze Grate*

SUFFIXES

- _____ -C Clamping Collar
- _____ -DX Dex-o-tex Flange
- _____ -FG Free Set Grate (Previously Z-312)
- _____ -IG Integral Grate (Previously Z-311)
- _____ -NE Spark Proof Non-Conductive Top
- _____ -ST Solid Top
- _____ -VP Vandal Proof Secured Top
- _____ -WB Water Supply Control Box (See Z-1464)

*REGULARLY FURNISHED UNLESS OTHERWISE SPECIFIED

REV. A	DATE: 1/10/02	C.N. NO. 88246
DWG. NO. P-14455 PRODUCT NO. Z-310-80		