



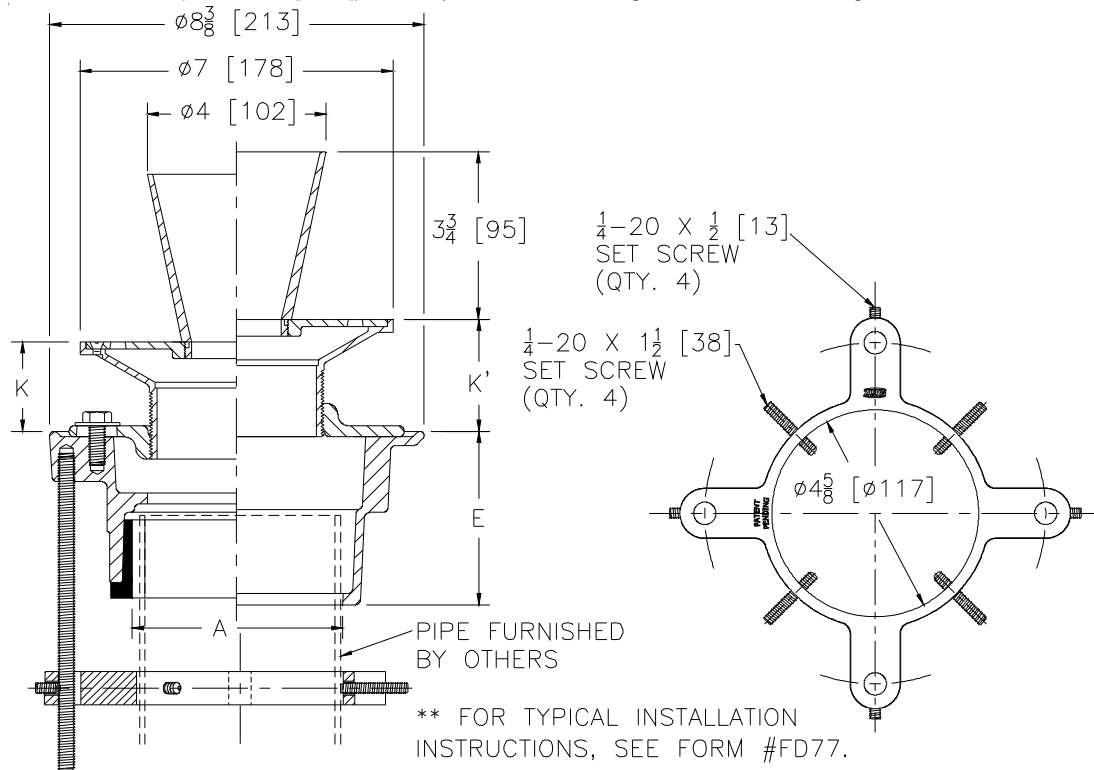
# Z415E-SR

## FLOOR AND SHOWER DRAIN W/"TYPE E" STRAINER AND STABILIZER RING

SPECIFICATION SHEET

TAG \_\_\_\_\_

Dimensional Data (inches and [ mm ]) are Subject to Manufacturing Tolerances and Change Without Notice



Dimensions in inches [mm]					Approx Wt. lbs [kg]	Strainer Open Area in <sup>2</sup> [cm <sup>2</sup> ]
A Pipe Size	K		K'			
	Min	Max	Min	Max		
2,3,4 [51,76,102]	1 [25]	2-1/8 [54]	1-5/8 [41]	2-15/16 [75]	21 [10]	5 [32]

**ENGINEERING SPECIFICATION: ZURNZN415E-SR**

Floor and shower drain, Dura-Coated cast iron body with bottom outlet, combination invertible membrane clamp and adjustable collar with seepage slots and "TYPE E" polished, nickel bronze strainer with 4" [102mm] diameter funnel. Complete with Dura-Coated cast iron floor drain stabilizer ring with four 1/4-20 x 1/2" [13mm] securing screws to 3/8-16 x 7" [178mm] threaded rod and four 1/4-20 x 1-1/2" [38mm] securing screws to outlet piping.

**OPTIONS** (Check/specify appropriate options)

**PIPE SIZE**

- 2,3,4 [51,76,102]
- 2 [51]
- 3 [76]
- 4 [102]
- 2,3,4 [51,76,102]
- 2,3,4 [51,76,102]

**OUTLET** (Specify size/type)

- \_\_\_\_\_ IC Inside Caulk
- \_\_\_\_\_ IP Threaded
- \_\_\_\_\_ IP Threaded
- \_\_\_\_\_ IP Threaded
- \_\_\_\_\_ NH No-Hub
- \_\_\_\_\_ NL Neo-Loc

**E BODY HT. DIM.**

- 4-3/16 [102]
- 2-7/16 [62]
- 2-3/4 [70]
- 2-13/16 [71]
- 3-13/16 [97]
- 3-7/8 [98]

**PREFIXES**

- \_\_\_\_\_ ZB D.C.C.I. Body with Polished Bronze Top
- \_\_\_\_\_ ZN D.C.C.I. Body with Polished Nickel Bronze Top\*

**SUFFIXES**

- \_\_\_\_\_ -AR Acid Resistant Epoxy Coated Cast Iron
- \_\_\_\_\_ -G Galvanized Cast Iron
- \_\_\_\_\_ -P Trap Primer Connection  
(Specify 1/2 [13] or 3/4 [19])
- \_\_\_\_\_ -SC Solid Cover

- \_\_\_\_\_ -TC Neo-Loc Test Cap Gasket  
(2,3,4 [51,76,102] NL Bottom Outlet Only)
- \_\_\_\_\_ -U 1 - 3 [25 - 76] High Extension Adapter
- \_\_\_\_\_ -V Backwater Valve
- \_\_\_\_\_ -VP Vandal Proof Secured Top
- \_\_\_\_\_ -Y Sediment Bucket

\* Regularly furnished unless otherwise specified.