



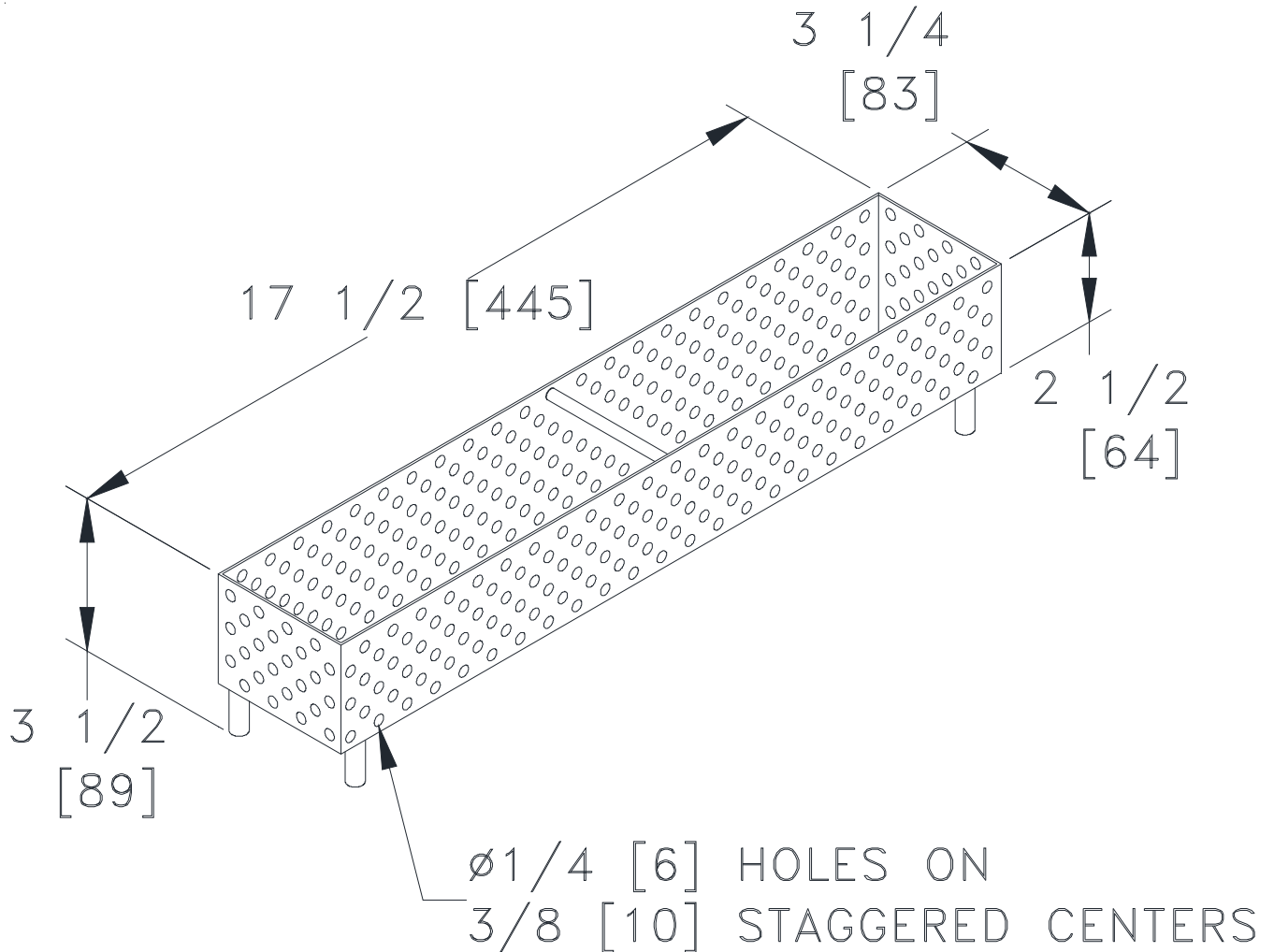
Z887-Y-75

SHALLOW SEDIMENT BUCKET FOR 6 X 20
[152 X 508] CATCH BASIN

SPECIFICATION SHEET

TAG _____

Dimensional Data (inches and [mm]) are Subject to Manufacturing Tolerances and Change Without Notice



ENGINEERING SPECIFICATION: Zurn Z887-Y-75 6 x 20 [152 x 508] Shallow Sediment Bucket. Fabricated to fit inside of the Z887 6 x 20 [152 x 508] polyethylene catch basin. Perforated #18 GA. blue acid resisting epoxy coated carbon steel or stainless steel material on all sides allowing various objects and liquids to filter through. Complete with welded on handle for easy installation and maintenance.

* Regularly furnished unless otherwise specified.

Zurn Industries, LLC | Specification Drainage Operation
1801 Pittsburgh Avenue, Erie, PA U.S.A. 16502 · Ph. 855-663-9876, Fax 814-454-7929
In Canada | Zurn Industries Limited
3544 Nashua Drive, Mississauga, Ontario L4V 1L2 · Ph. 905-405-8272, Fax 905-405-1292
www.zurn.com

Rev. -
Date: 06/09/2017
C.N. No. 137048
Prod. | Dwg. No. Z887-Y-75