



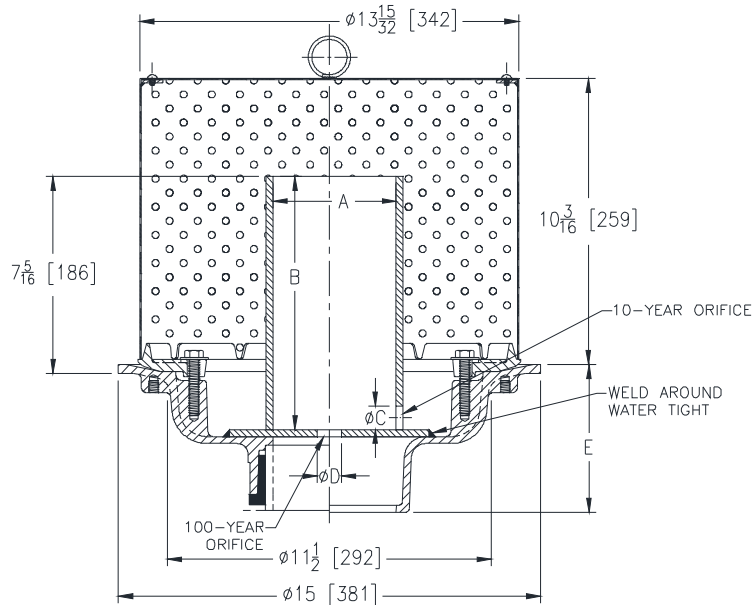
Z100-269

Ø15 [381] MAIN ROOF DRAIN W/ CONTROL FLOW ORIFICE & HIGH S.S. PERFORATED COVER

SPECIFICATION SHEET

TAG _____

Dimensional Data (inches and [mm]) are Subject to Manufacturing Tolerances and Change Without Notice



| Dimensions In Inches | | |
|----------------------|----------|------------|
| B | ØC | ØD |
| 9-5/8 [244] | 3/4 [19] | 1-1/4 [32] |

| A Pipe Size In. | Approx. Wt. Lbs. [kg] | Cover Open Area Sq. In. [cm ²] |
|--------------------|--------------------------|---|
| 3,4 [76,102] | 26-1/2 [12] | 118 [761] |
| 5,6 [127,152] | 27-1/2 [12] | |
| 8 [203] | 28-1/2 [13] | |

ENGINEERING SPECIFICATION: ZURN Z100-269

15 [381] Diameter roof drain. Dura-Coated cast iron body with combination membrane flashing clamp/gravel guard and water dam featuring 10-year and 100-year control flow orifices with high stainless steel perforated cover.

OPTIONS (Check/specify appropriate options)

PIPE SIZE

3-4-5-6-8 [76-102-127-152-203]
 3-4-5-6-8 [76-102-127-152-203]
 3-4-5-6-8 [76-102-127-152-203]
 3-4 [76-102]
 6 [152]

(Specify size/type) OUTLET

_____ IC Inside Caulk
 _____ IP Threaded
 _____ NH No-Hub
 _____ NL Neo-Loc
 _____ NL Neo-Loc

E BODY HT. DIM.

5-1/4 [133]
 3-3/4 [95]
 5-1/4 [133]
 4-9/16 [116]
 5-7/16 [112]

PREFIXES

_____ Z D.C.C.I. Body with Stainless Steel Perforated Cover*

SUFFIXES

_____ -AC Angular Underdeck Clamp
 _____ -AR Acid Resistant Epoxy Coated
 _____ -C Underdeck Clamp
 _____ -DE Deck Extension
 _____ -DP Top-Set® Deck Plate (Replaces both the -C and -R)
 _____ -DR Top-Set® Drain Riser
 _____ -DX Dex-o-tex Flange
 _____ -EB Top-Set® Adjustable Extension Assembly
 _____ -G Galvanized Cast Iron
 _____ -R Roof Sump Receiver
 _____ -SC Secondary Clamp Collar
 _____ -VP Vandal-Proof Secured Top
 _____ -85 Stainless Steel Perforated Extension
 _____ -89 2 [51] High External Water Dam

* Regularly furnished unless otherwise specified.