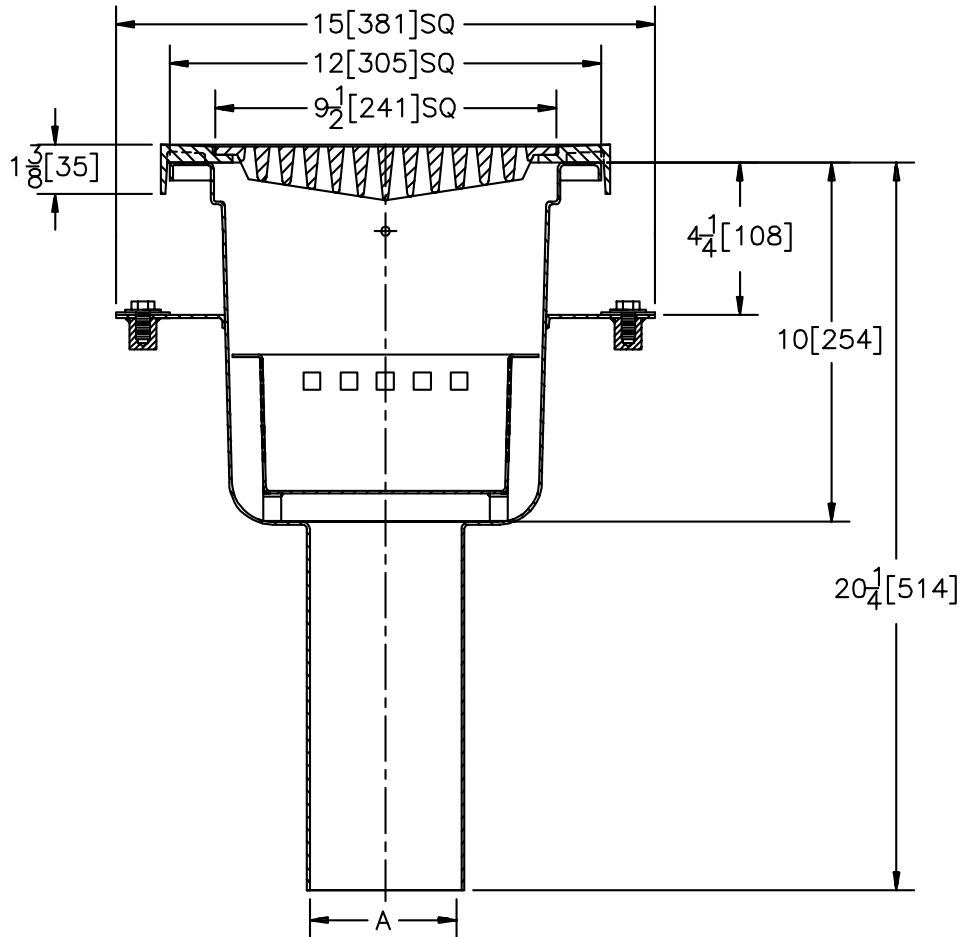




Z-1752-97
12 X 12 [305 X 305] SANI-FLOR RECEPTOR
10 [254] SUMP DEPTH

TAG _____

Dimensional Data (inches and [mm]) are Subject to Manufacturing Tolerances and Change Without Notice



A- Pipe Size In.	Approx. Wt. Lbs. [kg]	Grate Open Area Sq. In. [cm ²]
2-3-4 [50-75-100]	21 [10]	23 [148]

ENGINEERING SPECIFICATION: ZURN Z-1752-97
 12 x 12 x 10 [305 x 305 x 254] deep, 14 gage, All Type 304 (CF8) Stainless Steel light duty Sani-Flor receptor with cast stainless steel heavy duty top frame and slotted grate, seepage pan with clamp collar and weep holes, and sediment bucket.

OPTIONS (Check/specify appropriate options)

PIPE SIZE

2 thru 4 [50 thru 100]

(Specify size/type) **OUTLET**

_____ NH No-Hub

PREFIXES

- _____ Z- Type 304 (CF8) Stainless Steel Body*
- _____ ZM- Type 316 (CF8M) Stainless Steel

SUFFIXES

- _____ -P 1/2 Trap Primer Connection
- _____ -2 1/2 Grate
- _____ -3 3/4 Grate
- _____ -4 Full Grate With 3 [76] Square Opening
- _____ -5 Grate w/4 [102] dia. x 3 3/4 [95] High Funnel
- _____ -8 Grate w/8 3/8 x 3 5/8 x 3 3/4 [213 x 92 x 95] High Oval Funnel
- _____ -15 Solid Cover
- _____ -16 1/2 Solid Cover
- _____ -17 3/4 Solid Cover
- _____ -18 Solid Cover With 3 [76] Square Center Opening

REV.	DATE: 08/01/95	C.N. NO. 72587
DWG. NO. P-14214 PRODUCT NO. Z-1752-97		

*REGULARLY FURNISHED UNLESS OTHERWISE SPECIFIED