



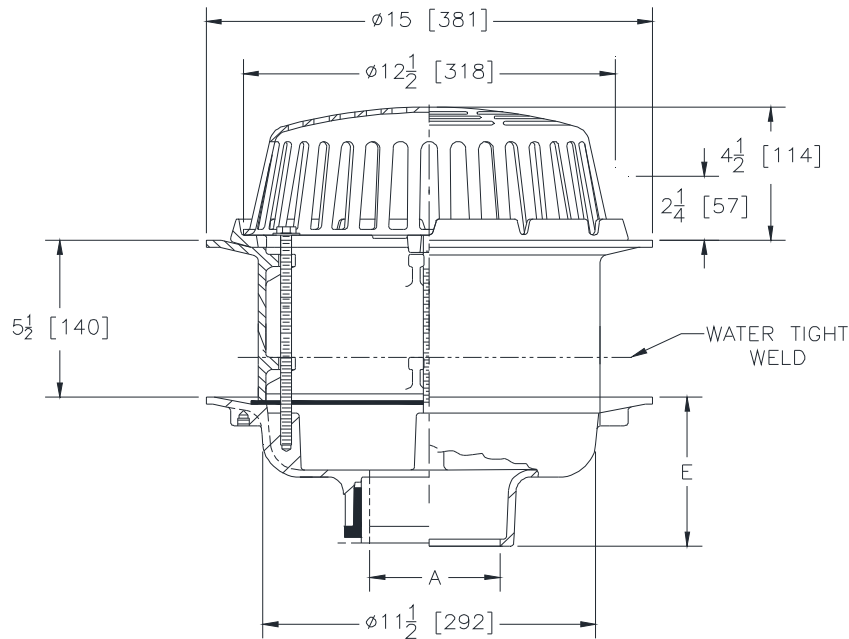
Z100-257

15 [381] DIAMETER MAIN ROOF DRAIN LOW SILHOUETTE DOME W/ 5-1/2 [140] STATIC EXTENSION

SPECIFICATION SHEET

TAG _____

Dimensional Data (inches and [mm]) are Subject to Manufacturing Tolerances and Change Without Notice



A- Pipe Size In.	Approx. Wt. Lbs. [kg]	Dome Open Area Sq. In. [cm ²]
2-3-4 [51-76-102]	31 [14]	103 [665]
5-6 [127-152]	32 [15]	
8 [203]	33 [15]	

ENGINEERING SPECIFICATION: ZURN Z100-257

15 [381] Diameter roof drain. Dura-Coated cast iron body with combination membrane flashing clamp/gravel guard, 5-1/2 [140] static extension and low silhouette Poly-Dome strainer.

OPTIONS (Check/specify appropriate options)

PIPE SIZE

2 thru 6, 8 [51 thru 152,203]
2 thru 6, 8 [51 thru 152,203]
2 thru 6, 8 [51 thru 152,203]
2,3,4 [51,76,102]

(Specify size/type) OUTLET

_____ IC Inside Caulk
_____ IP Threaded
_____ NH No-Hub
_____ NL Neo-Loc

E BODY HT. DIM.

5-1/4 [133]
3-3/4 [95]
5-1/4 [133]
4-5/8 [117]

PREFIXES

_____ **Z** D.C.C.I. Body with Poly-Dome*
_____ **ZA** D.C.C.I. Body with 6 3/4 [171] High Aluminum Dome
_____ **ZC** D.C.C.I. Body with Cast Iron Dome
_____ **ZRB** D.C.C.I. Body with Plain Bronze Dome

SUFFIXES

_____ -AC Angular Underdeck Clamp	_____ -SS Stainless Steel Mesh Screen Over Dome
_____ -AR Acid Resistant Epoxy Coated Finish	_____ -VP Vandal Proof Secured Top
_____ -AW 3/4 [19] to 4 [102] Adj. Water Level Regulator	_____ -W2 2 [51] Internal Water Dam
_____ -BS Bronze Mesh Screen Over Dome	_____ -W3 3 [76] Internal Water Dam
_____ -C Underdeck Clamp	_____ -W4 4 [102] Internal Water Dam
_____ -DX Dex-o-tex Flange	_____ -XJ Vertical Expansion Joint (See Z-190)
_____ -FG Flush Grate	_____ -84 Stainless Steel Perforated Gravel Guard
_____ -G Galvanized Cast Iron	_____ -85 Stainless Steel Perforated Extension
_____ -GD Galvanized Cast Iron Dome (ZC only)	_____ -90 90° Threaded Side Outlet Body
_____ -H High Dome	
_____ -R Roof Sump Receiver	
_____ -SC Secondary Clamping Collar	

*REGULARLY FURNISHED UNLESS OTHERWISE SPECIFIED

REV. DATE: 01/16/13 C.N. NO. 128686

DWG. NO. 311213 PRODUCT NO. Z100-257

ZURN INDUSTRIES, LLC ♦ SPECIFICATION DRAINAGE OPERATION ♦ 1801 Pittsburgh Ave. ♦ Erie, PA 16514

Phone: 814/455-0921 ♦ Fax: 814/454-7929 ♦ World Wide Web: www.zurn.com

In Canada: ZURN INDUSTRIES LIMITED ♦ 3544 Nashua Drive ♦ Mississauga, Ontario L4V1L2 ♦ Phone: 905/405-8272 Fax: 905/405-1292