

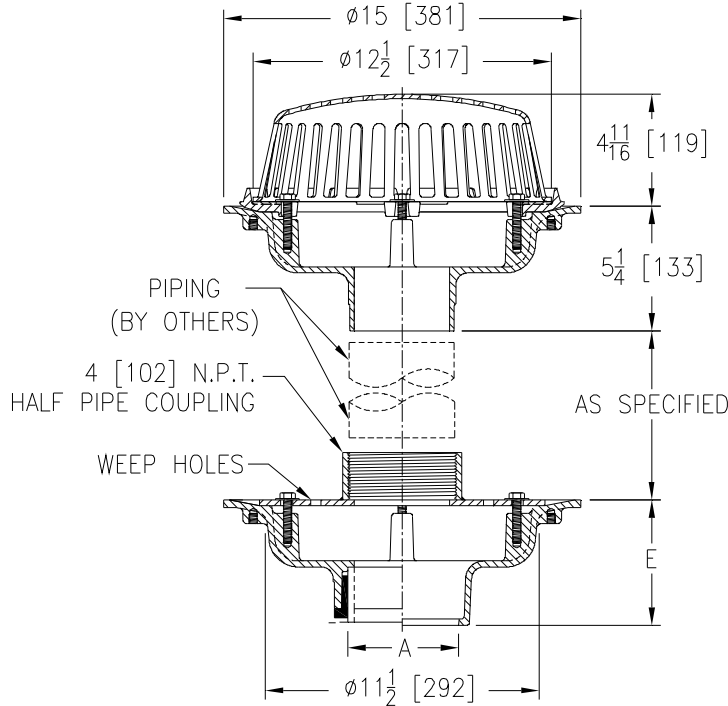


# Z100-189

# SPECIFICATION SHEET

15 [381] DIA. ISOLATION ROOF DRAIN W/ LOWER Z100 BODY & CLAMP COLLAR WITH WEEP HOLES & 4 [102] HALF PIPE COUPLING TAG \_\_\_\_\_

Dimensional Data (inches and [mm]) are Subject to Manufacturing Tolerances and Change Without Notice



A Pipe Size In.	Approx. Wt. Lbs. [kg]	Dome Open Area Sq. In. [cm <sup>2</sup> ]
3,4 [76,102]	59 [27]	103 [665]
5,6 [127,152]	60 [27]	
8 [203]	61 [28]	

### ENGINEERING SPECIFICATION: ZURN Z100-189

15 [381] Diameter Isolation roof drain. Dura-Coated cast iron bodies. Lower body has clamp collar with weep holes, and 4 [102] N.P. T. half pipe coupling. Upper body with No-Hub outlet, combination membrane flashing clamp/gravel guard and low silhouette Poly-Dome.

### OPTIONS (Check/specify appropriate options)

#### PIPE SIZE

- 3 thru 6,8 [76 thru 152,203]
- 3 thru 6,8 [76 thru 152,203]
- 3 thru 6,8 [76 thru 152,203]
- 3,4 [51,76,102]
- 6 [152]

#### (Specify size/type) OUTLET

- \_\_\_ IC Inside Caulk
- \_\_\_ IP Threaded
- \_\_\_ NH No-Hub
- \_\_\_ NL Neo-Loc
- \_\_\_ NL Neo-Loc

#### E BODY HT. DIM.

- 5 1/4 [133]
- 3 3/4 [95]
- 5 1/4 [133]
- 4 9/16 [116]
- 5 7/16 [112]

#### PREFIXES

- \_\_\_ Z D.C.C.I. Body with Poly-Dome\*
- \_\_\_ ZA D.C.C.I. Body with 6 3/4 [171] High Aluminum Dome
- \_\_\_ ZC D.C.C.I. Body with Cast Iron Dome
- \_\_\_ ZRB D.C.C.I. Body with Plain Bronze Dome

#### SUFFIXES

- \_\_\_ -AC Angular Underdeck Clamp
- \_\_\_ -AR Acid Resistant Epoxy Coated
- \_\_\_ -AW 3/4 [19] to 4 [102] Adj. Water Level Regulator (Specify Height) (ZC Only)
- \_\_\_ -BS Bronze Mesh Screen Over Dome
- \_\_\_ -C Underdeck Clamp
- \_\_\_ -DX Dex-o-tex Flange
- \_\_\_ -E Static Extension 1 [25] thru 4 [102] (Specify Ht.)
- \_\_\_ -FG Flush Grate (Replaces Dome Strainer)
- \_\_\_ -G Galvanized Cast Iron
- \_\_\_ -GD Galvanized Cast Iron Dome (ZC Only)
- \_\_\_ -R Roof Sump Receiver
- \_\_\_ -SC Secondary Clamp Collar
- \_\_\_ -SS Stainless Steel Mesh Screen Over Dome
- \_\_\_ -TC Neo-Loc Test Cap Gasket (Lower Body) (3 - 4 [76 - 102] NL Bottom Outlet Only)
- \_\_\_ -VP Vandal-Proof Secured Top
- \_\_\_ -W2 2 [51] Internal Water Dam
- \_\_\_ -W3 3 [76] Internal Water Dam
- \_\_\_ -W4 4 [102] Internal Water Dam
- \_\_\_ -84 Stainless Steel Perforated Gravel Guard
- \_\_\_ -85 Stainless Steel Perforated Extension
- \_\_\_ -89 2 [51] High External Water Dam

\*REGULARLY FURNISHED UNLESS OTHERWISE SPECIFIED

REV. DATE: 7/15/08 C.N. NO. 98768

DWG. NO. P-15567 PRODUCT NO. Z100-189