



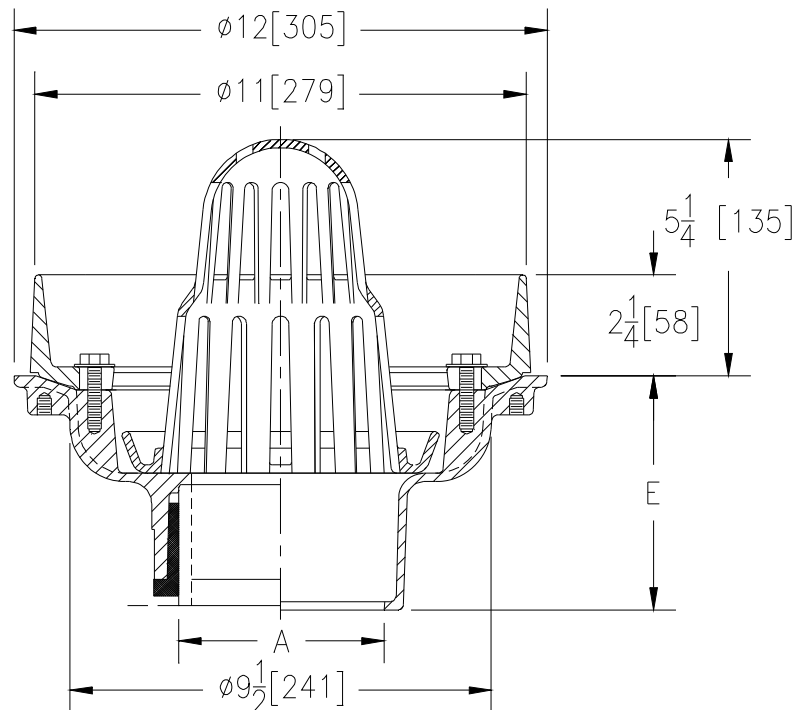
# Z122-HD

12 [305] DIAMETER DECK RECEPTOR DRAIN  
WITH 5 1/4 [135] HIGH DOME

SPECIFICATION SHEET

TAG \_\_\_\_\_

Dimensional Data (inches and [ mm ]) are Subject to Manufacturing Tolerances and Change Without Notice



A- Pipe Size In. [mm]	Approx. Wt. Lbs. [kg]
2,3,4,6 [51,76,102,152]	29 [13]

### ENGINEERING SPECIFICATION: ZURN Z122-HD

12" [305mm] Diameter deck receptor drain, Dura-Coated cast iron body with combination membrane flashing clamp/deck receptor frame and internal high dome strainer.

### OPTIONS (Check/specify appropriate options)

#### PIPE SIZE

2, 3, 4, 6 [51, 76, 102, 152]

2, 3, 4 [51, 76, 102]

#### (Specify size/type) OUTLET

\_\_\_\_\_ NH No-Hub

\_\_\_\_\_ NL Neo-Loc

#### E BODY HT. DIM.

5-1/4 [133]

4-5/8 [117]

#### PREFIXES

\_\_\_\_\_ Z D.C.C.I. Body with Collar\*

#### SUFFIXES

- \_\_\_\_\_ -AR Acid Resistant Epoxy Coated
- \_\_\_\_\_ -C Underdeck Clamp
- \_\_\_\_\_ -DP Top-Set® Deck Plate (Replaces both -C and -R)
- \_\_\_\_\_ -E Static Extension 1 [25] thru 4[102] (Specify Ht.)
- \_\_\_\_\_ -EB Top-Set® Adjustable Extension Assembly
- \_\_\_\_\_ -G Galvanized Cast Iron
- \_\_\_\_\_ -R Roof Sump Receiver
- \_\_\_\_\_ -TC Neo-Loc Test Cap Gasket (2, 3, 4 [51, 76, 102] NL Bottom Outlet Only)

\* Regularly furnished unless otherwise specified.