

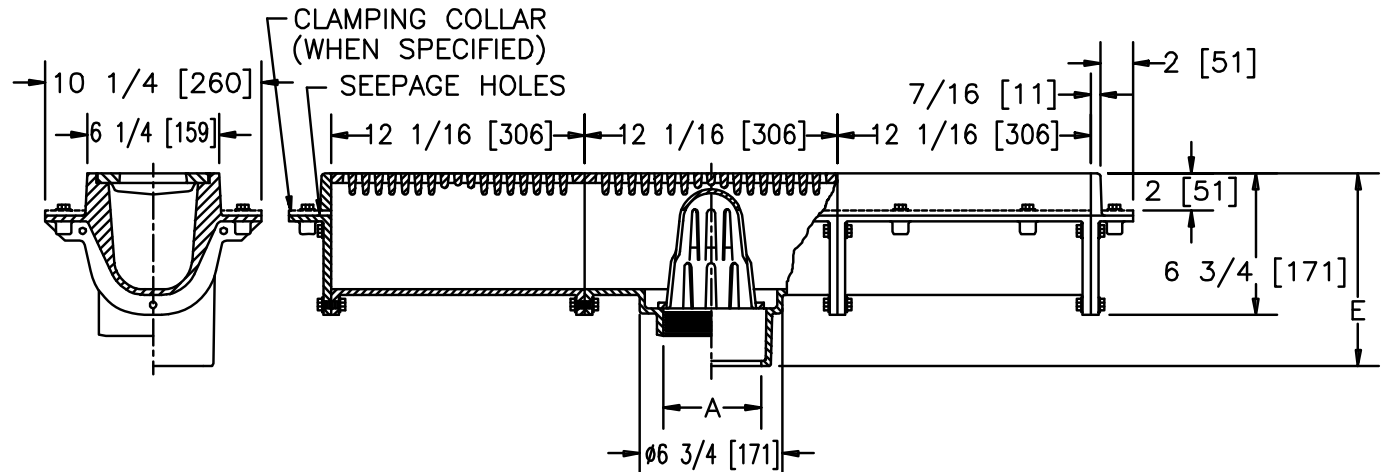


Z-664-84

6" [152] WIDE MODULAR TRENCH DRAIN EXTRA HEAVY DUTY

TAG _____

Dimensional Data (inches and [mm]) are Subject to Manufacturing Tolerances and Change Without Notice



A- Pipe Size In.	Approx. Wt. Lbs. [kg]	Grate Open Area Sq. In. [cm ²]
2-3-4 [50-75-100]	35 [16]	22 [142]

ENGINEERING SPECIFICATION: ZURN Z-664-84 6 [152] Wide Top modular trench drain. Dura-Coated cast iron drain section with bottom outlet and secondary dome strainer. Both 12 [305] long drain module and 12 [305] long extension module are complete with integral seepage pan and loose extra heavy duty slotted grate.

OPTIONS (Check/specify appropriate options)

PIPE SIZE	(Specify size/type)	OUTLET	'E' BODY HT. DIM.
2 thru 4 [50 thru 150]	___	IC Inside Caulk	9 1/8 [232]
2 thru 4 [50 thru 150]	___	IG Inside Caulk w/Sealtrol Gskt.	9 1/8 [232]
2 thru 4 [50 thru 150]	___	IP Threaded	7 5/8 [194]
2 thru 4 [50 thru 150]	___	NH No-Hub	
2 thru 4 [50 thru 150]	___	NL Neo-Loc	8 3/8 [213]

PREFIXES

- ___ Z- D.C.C.I. Body and Grate*
- ___ ZB- D.C.C.I Body w/Polished Bronze Top (Add 1/8 [3] to 'E' and 2 [51] Dim.)
- ___ ZN- D.C.C.I Body w/Polished Nickel Bronze Top (Add 1/8 [3] to 'E' and 2 [51] Dim.)

SUFFIXES

- ___ -AR Acid Resisting Epoxy Coated Cast Iron
- ___ -C Clamp Collar or Underdeck Clamp
- ___ -DG Duresist Grate
- ___ -ES Extension Section (See Z-664, Z-665)
- ___ -G Galvanized Cast Iron
- ___ -M Side Outlet Adapter Via End Plate
- ___ -TS Top Secured With Slotted Screws
- ___ -V Backwater Valve
- ___ -VP Vandal Proof Secured Top
- ___ -Y Sediment Bucket

*REGULARLY FURNISHED UNLESS OTHERWISE SPECIFIED

REV.	DATE: 10/17/96	C.N. NO. 76220
DWG. NO. P-14409		PRODUCT NO. Z-664-84