

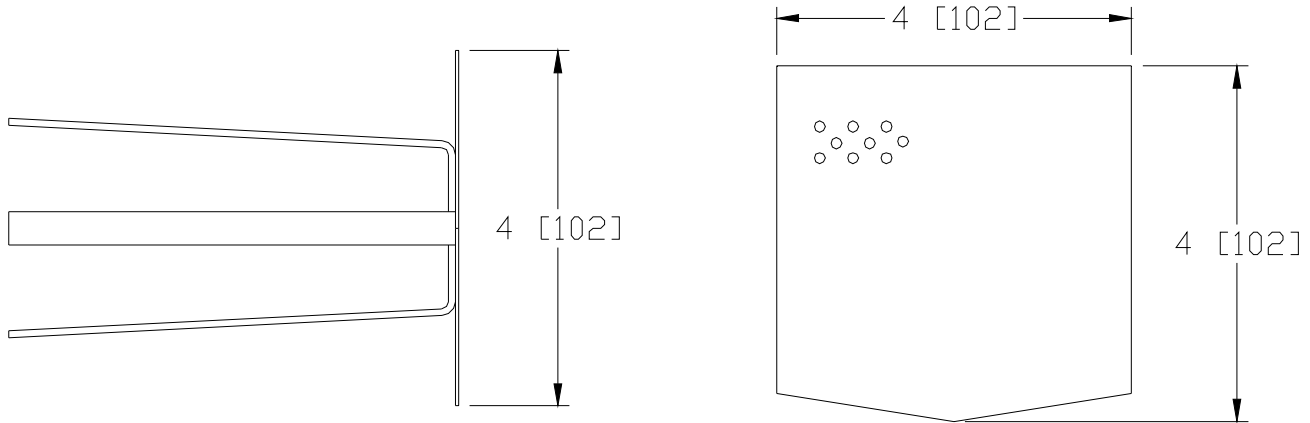


# Z890-96 STRAINER ASSEMBLY FOR END OUTLETS

SPECIFICATION SHEET

TAG \_\_\_\_\_

Dimensional Data (inches and [mm]) are Subject to Manufacturing Tolerances and Change Without Notice



**Engineering Specification:** Zurn Z890-96

Strainer is designed to fit 2" [51mm] end outlets. Strainer is made of 24 gage perforated steel with 1/8" [3mm] holes and extension is made of 14 gage steel. Strainer is available in Stainless Steel which conforms to ASTM A-240 type 304 (or 316 by request).

\* Regularly furnished unless otherwise specified.