



Z624-107

ISOLATION DECK DRAIN WITH 8 [203] X 4 [102] SANI-FLOR RECEPTOR

SPECIFICATION SHEET

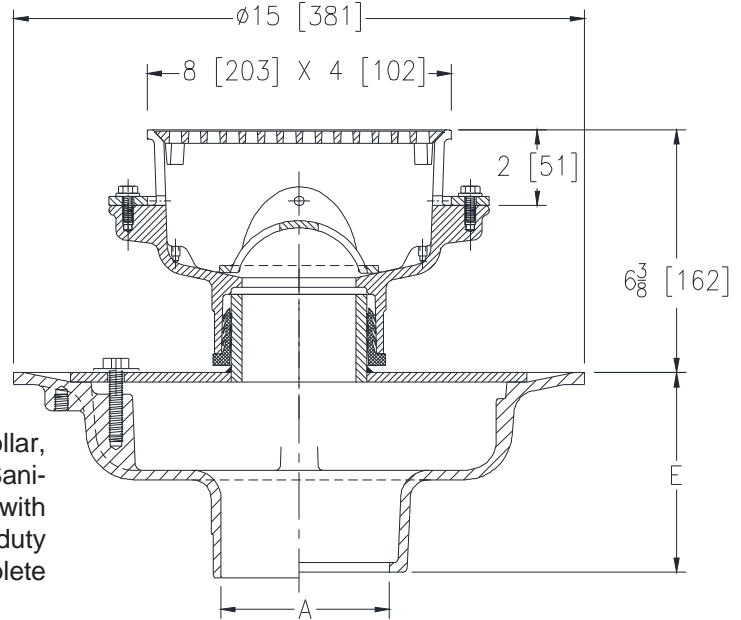
TAG _____

Dimensional Data (inches and [mm]) are Subject to Manufacturing Tolerances and Change Without Notice

A Pipe Size	Approx. Wt. Lbs. [kg]	Grate Open Area Sq. In. [cm ²]
2-3-4 [51-76-102]	34 [15]	7.5 [48]
5-6 [127-152]		

ENGINEERING SPECIFICATION: ZURN Z624-107

Floating slab drain, Dura-Coated cast iron lower body, clamp collar, neoprene flex gasket, and isolation nipple. Upper drain is Z1930 Sani-Flor receptor 8 [203] X 4 [102] x 4 [102] deep cast iron body with seepage holes, clamp collar, and rectangular square hole light duty grate with white acid resistant epoxy coated interior and top complete with white ABS anti-splash bottom dome strainer.



OPTIONS (Check/specify appropriate options)

PIPE SIZE

- 2-3-4-5-6 [51-76-102-127-152]
- 2-3-4-6 [51-76-102-152]
- 2-3-4-5-6 [51-76-102-127-152]
- 2-3-4-5-6 [51-76-102-127-152]
- 2-3-4 [51-76-102]

(Specify size/type) OUTLET

- ___ IC Inside Caulk
- ___ IG Inside Gasket
- ___ IP Threaded
- ___ NH No-Hub
- ___ NL Neo-Loc

'E' BODY HT. DIM.

- 5-1/4 [133]
- 5-1/4 [133]
- 3-3/4 [95]
- 5-1/4 [133]
- 4-5/8 [117]

PREFIXES

- ___ Z D.C.C.I. Body and Top*
- ___ ZN D.C.C.I Body w/ Polished Nickel Bronze Top (Add 3/4 [19] to 8 [203] & 4 [102] Dims)

SUFFIXES

- | | |
|---|--|
| ___ -C Underdeck Clamp (Lower Body) | ___ -8 Grate w/ 8-7/8 x 3-5/8 x 3-3/4 [225 x 92 x 95] High Oval Funnel |
| ___ -LD (Less) Internal Bottom Dome Strainer | ___ -11 Vandal Proof Secured Grate |
| ___ -P 1/2 [13] Trap Primer Connection (Upper Body) | ___ -15 Solid Loose Set Cover |
| ___ -R Sump Receiver (Lower Body) | ___ -16 1/2 Solid Loose Set Cover |
| ___ -S Secondary Strainer (Upper Body) | ___ -23 Stainless Steel Bucket |
| ___ -SD Longer Standpipe (Specify Height Required) | ___ -25 White A.R.C. Bucket |
| ___ -TC Neo-Loc Test Cap Gasket (2-3 [51-76] NL Bottom Outlet Only) | ___ -31 Stainless Steel Mesh Liner for Bucket |
| ___ -1 (Less Grate) | ___ -32 Aluminum Dome Strainer |
| ___ -2 1/2 Grate | ___ -33 White A.R.C. Anti-Splash Bottom Dome Strainer |
| ___ -3 3/4 Grate | |
| ___ -4 Full Grate w/ 2 [51] Square Center Opening | |
| ___ -5 Grate w/ 4 [102] dia. x 3-3/4 [95] High Funnel | |
| ___ -6 Grate w/ 6 dia x 6 [152 x 152] High Funnel | |
| ___ -7 Grate w/ 6-3/4 x 3 x 1 [171 x 76 x 25] High Oval Funnel | |

* Regularly furnished unless otherwise specified.