

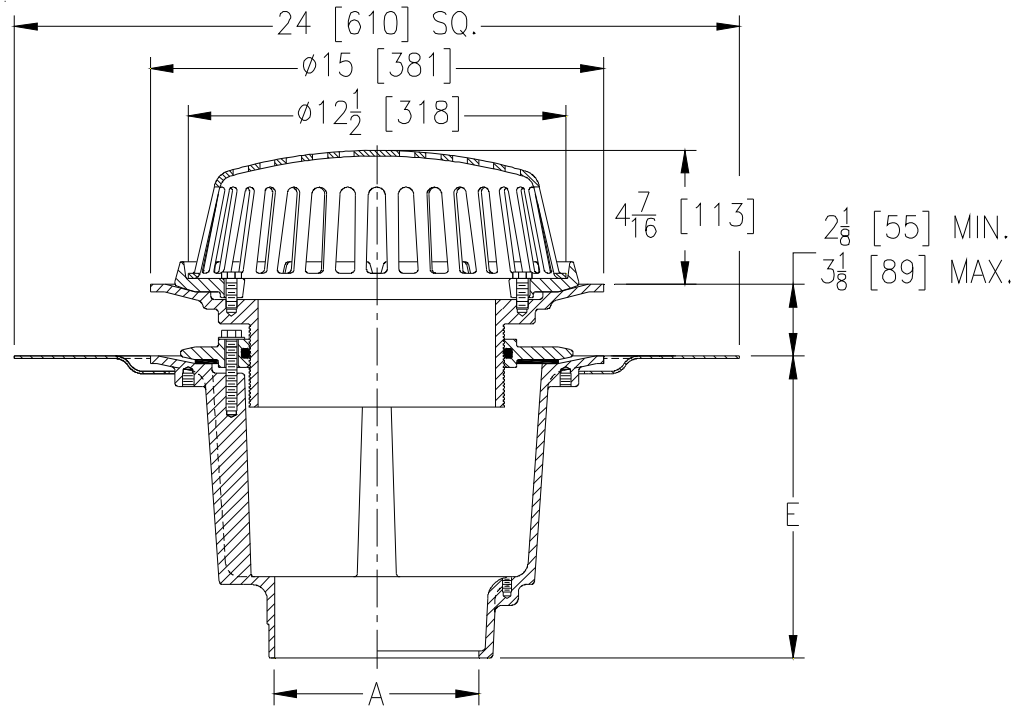


# Z104-EA-R

15 [381] DIAMETER DEEP SUMP ROOF DRAIN WITH  
ADJUSTABLE EXTENSION AND ROOF SUMP RECEIVER TAG \_\_\_\_\_

SPECIFICATION SHEET

Dimensional Data (inches and [ mm ]) are Subject to Manufacturing Tolerances and Change Without Notice



A Pipe Size In. [mm]	Approx. Wt. Lbs. [kg]	Dome Open Area Sq. In. [cm <sup>2</sup> ]
3, 4 [76, 102]	46 [21]	103 [665]
6, 8 [152, 203]		

**ENGINEERING SPECIFICATION: ZURN Z104-EA-R**

15" [381mm] Diameter roof drain. Dura-Coated cast iron deep sump body with combination membrane flashing clamp/gravel guard, adjustable extension, secondary clamping collar with o-ring, roof sump receiver and low silhouette Poly-Dome.

**OPTIONS** (Check/specify appropriate options)

**PIPE SIZE**

3, 4, 6, 8 [76, 102, 152, 203]  
3, 4 [76, 102]

(Specify size/type) **OUTLET**

\_\_\_ NH No-Hub  
\_\_\_ NL Neo-Loc

**'E' BODY HT. DIM.**

10 [254]  
9-5/16 [236]

**PREFIXES**

\_\_\_ Z D.C.C.I. Body with Poly-Dome\*  
\_\_\_ ZA D.C.C.I. Body with Aluminum Dome  
\_\_\_ ZC D.C.C.I. Body with Cast Iron Dome

**SUFFIXES**

___ -AC Angular Underdeck Clamp	___ -SC Secondary Clamping Collar
___ -AR Acid Resistant Epoxy Coated Finish	___ -SS Stainless Steel Mesh Screen Over Dome
___ -AW 3/4 [19] to 4 [102] Adjustable Water Level Regulator	___ -VP Vandal-Proof Secured Top
___ -C Underdeck Clamp	___ -W2 2 [51] Internal Water Dam
___ -E Static Extension 1 [25] thru 4 [102] (Specify Ht)	___ -W3 3 [76] Internal Water Dam
___ -FG Flush Grate	___ -W4 4 [102] Internal Water Dam
___ -G Galvanized Cast Iron	___ -84 Stainless Steel Perforated Gravel Guard
___ -HD 6-3/4 [171] High Aluminum Dome (148 Sq. In. [955cm <sup>2</sup> ] Open Area)	___ -85 Stainless Steel Perforated Extension
	___ -89 2 [51] High External Water Dam

\* Regularly furnished unless otherwise specified.