



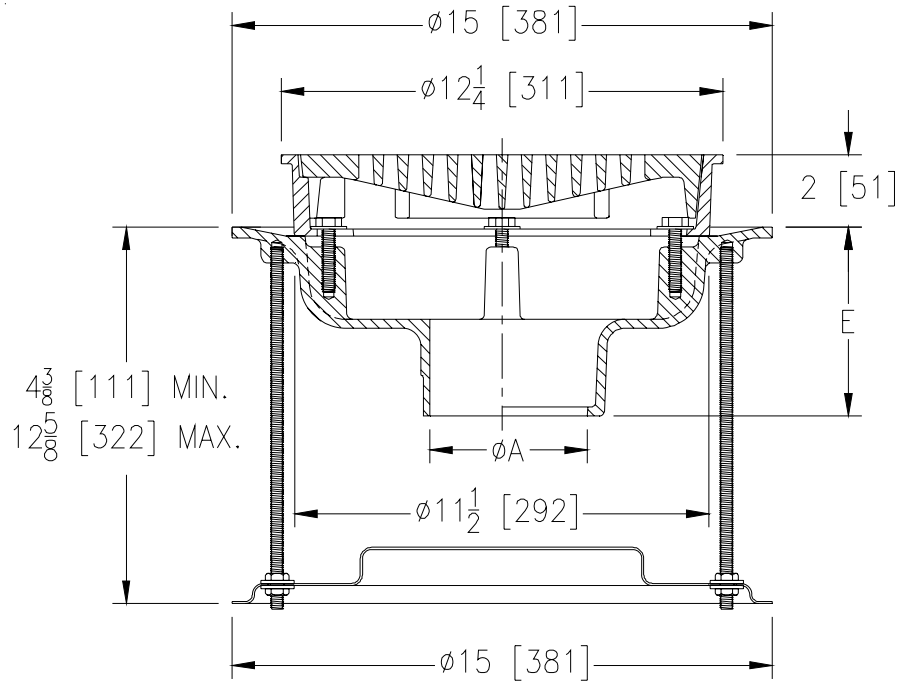
# Z505-SA

## 12 [305] HEAVY DUTY DRAIN WITH STABILIZER ASSEMBLY

SPECIFICATION SHEET

TAG \_\_\_\_\_

Dimensional Data (inches and [ mm ]) are Subject to Manufacturing Tolerances and Change Without Notice



A - Pipe Size In.	Approx. Wt. Lbs. [kg]	Grate Open Area Sq. In. [cm <sup>2</sup> ]
2-4 [51-102]	45 [20]	30 [194]

**ENGINEERING SPECIFICATION: ZURN Z505-SA**

12 [305] Diameter top drain. Dura-Coated cast iron body with bottom outlet, seepage pan and combination membrane flashing clamp and frame for heavy duty deep flange slotted grate. Complete with Z1036 stabilizer assembly.

**OPTIONS** (Check/specify appropriate options)

**PIPE SIZE**

2 thru 4 [51 thru 102]  
2 thru 4 [51 thru 102]

(Specify size/type) **OUTLET**

\_\_\_ NH No-Hub  
\_\_\_ NL Neo-Loc

**'E' BODY HT. DIM.**

5 1/4 [133]  
4 5/8 [117]

**PREFIXES**

\_\_\_ Z D.C.C.I. Body and Top\*  
\_\_\_ ZB D.C.C.I. Body Assembly w/Polished Bronze Top (Add 3/16 [5] to 2 [51] Dim.)  
\_\_\_ ZN D.C.C.I. Body Assembly w/Polished Nickel Bronze Top (Add 3/16 [5] to 2 [51] Dim.)

**SUFFIXES**

___ -AR	Acid Resisting Epoxy Coated Cast Iron	___ -T	Square Top
___ -D	Dome Grate	___ -TC	Neo-Loc Test Cap Gasket (2-4 [51-102] NL Bottom Outlet Only)
___ -DG	Duresist Grate	___ -TS	Top Secured with Slotted Screws
___ -F	Extension Frame (Specify Total Height Req'd.)	___ -VP	Vandal-Proof Secured Top
___ -G	Galvanized Cast Iron	___ -Y	Sediment Bucket
___ -HP	Heel-Proof Grate		
___ -HT	Square Hinged Grate		
___ -P	Trap Primer Connection (Specify 1/2 [13] or 3/4 [19])		
___ -S	Secondary Strainer		
___ -SC	Secondary Clamping Collar		
___ -SS	Stainless Steel Mesh Liner for Bucket		

REV.	DATE: 4/26/10	C.N. NO. 111057
DWG. NO. 84625	PRODUCT NO. Z505-SA	

\*REGULARLY FURNISHED UNLESS OTHERWISE SPECIFIED