



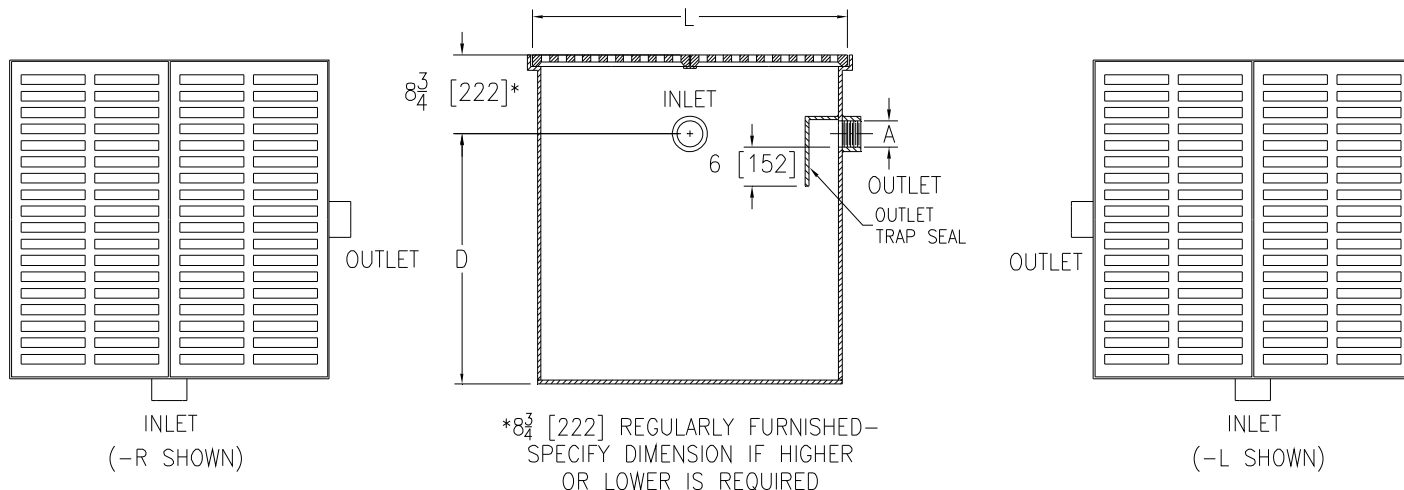
Z1187-SI-83

SAND INTERCEPTOR W/ 90° INLET/OUTLET COMBINATION

SPECIFICATION SHEET

TAG _____

Dimensional Data (inches and [mm]) are Subject to Manufacturing Tolerances and Change Without Notice



| Size | Flow G.P.M. [L] (Max.) | A Pipe Size | L | D | Capacity Gal. [L] (Static) | No. of 12 x 24 [305 x 610] Grates | Width |
|------|------------------------------|----------------|----------|----------|----------------------------------|-----------------------------------------|----------|
| 20 | 20 [76] | 4 [102] | 24 [610] | 26 [660] | 60 [227] | 2 | 24 [610] |

ENGINEERING SPECIFICATION: ZURN Z1187-SI-83 Acid Resistant Coated interior and exterior fabricated steel sand interceptor with threaded inlet and outlet, complete with removable heavy duty grates. (Specify -L or -R for outlet placement)

OPTIONS (Check/specify appropriate options)

PREFIXES

___ Z Acid Resistant Coated Fabricated Steel*

SUFFIXES

- ___ -E 6[152] Integral extension assembly for recessed installation
- ___ -DG Duresist Grate
- ___ -HD Extra heavy duty reinforced cover(s) for vehicular traffic.
(Specify working load requirements)
- ___ -L Outlet on left side when facing inlet
- ___ -NH No-Hub Inlet and Outlet (Specify Size)
- ___ -R Outlet on right side when facing inlet
- ___ -VP Vandal Proof Screws

| | | |
|------------------------------------------|----------------|----------------|
| REV. | DATE: 12/04/07 | C.N. NO. 97789 |
| DWG. NO. P-15494 PRODUCT NO. Z1187-SI-83 | | |

*REGULARLY FURNISHED UNLESS OTHERWISE SPECIFIED