



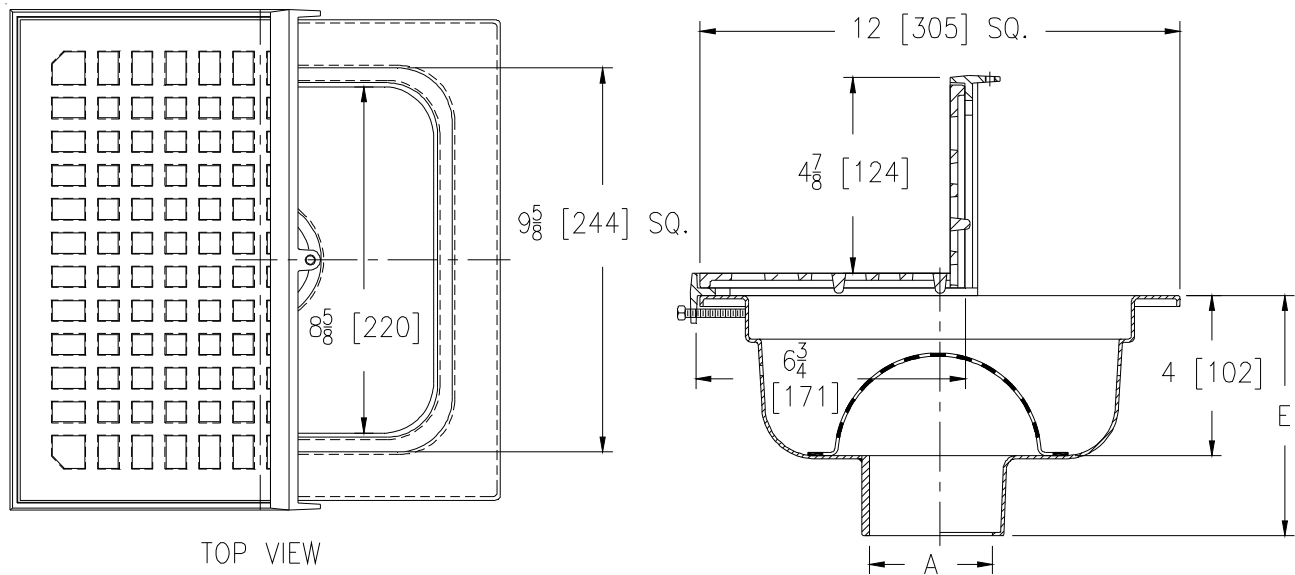
Z1749-78

SPECIFICATION SHEET

12 X 12 [305 x 305] SANI-FLOR RECEPTOR, 4 [102] SUMP DEPTH W/ N.B. ANGLE FRAME & GRATE

TAG _____

Dimensional Data (inches and [mm]) are Subject to Manufacturing Tolerances and Change Without Notice



A- Pipe Size In.	Approx. Wt. Lbs. [kg]	Grate Open Area Sq. In. [cm ²]
2-3-4 [51-76-102]	15 [7]	22 [142]

ENGINEERING SPECIFICATION: ZURN Z1749-78

12 x 12 x 4 [305 x 305 x 102] deep, 16 gage, All Type 304 (CF8) Stainless Steel light-duty Sani-Flor receptor with nickel bronze angle frame and grate and anti-splash stainless steel interior dome strainer.

OPTIONS (Check/specify appropriate options)

PIPE SIZE

- 2 thru 4 [51 thru 102]
- 2 [51]
- 3 [76]
- 4 [102]
- 2 thru 4 [51 thru 102]
- 2 thru 4 [51 thru 102]

(Specify size/type) OUTLET

- ___ IC Inside Caulk
- ___ IP Threaded
- ___ IP Threaded
- ___ IP Threaded
- ___ NH No-Hub
- ___ NL Neo-Loc

'E' BODY HT. DIM.

- 6-9/16 [167]
- 5-5/16 [134]
- 5-9/16 [141]
- 6-1/16 [154]
- 6-1/16 [154]
- 5-13/16 [148]

PREFIXES

- ___ Z Type 304 (CF8) Stainless Steel Body*
- ___ ZM Type 316 (CF8M) Stainless Steel

SUFFIXES

- ___ -DX Dex-o-tex Flange
- ___ -K Anchor Flange
- ___ -KC Anchor Flange w/ Seepage Holes and Clamp Collar
- ___ -LSH (Less) Seepage Holes
- ___ -P 1/2 [13] Trap Primer Connection
- ___ -TC Neo-Loc Test Cap Gasket
(2 - 4 [51-102] NL Bottom Outlet Only)
- ___ -VP Vandal-Proof Secured Top
- ___ -Y Sediment Bucket
- ___ -YS Suspended Sediment Bucket

REV.	DATE: 04/02/12	C.N. NO. 124121
DWG. NO. 309369	PRODUCT NO. Z1749-78	

*REGULARLY FURNISHED UNLESS OTHERWISE SPECIFIED

ZURN INDUSTRIES, LLC ♦ SPECIFICATION DRAINAGE OPERATION ♦ 1801 Pittsburgh Ave. ♦ Erie, PA 16514

Phone: 814/455-0921 ♦ Fax: 814/454-7929 ♦ World Wide Web: www.zurn.com

In Canada: ZURN INDUSTRIES LIMITED ♦ 3544 Nashua Drive ♦ Mississauga, Ontario L4V1L2 ♦ Phone: 905/405-8272 Fax: 905/405-1292