



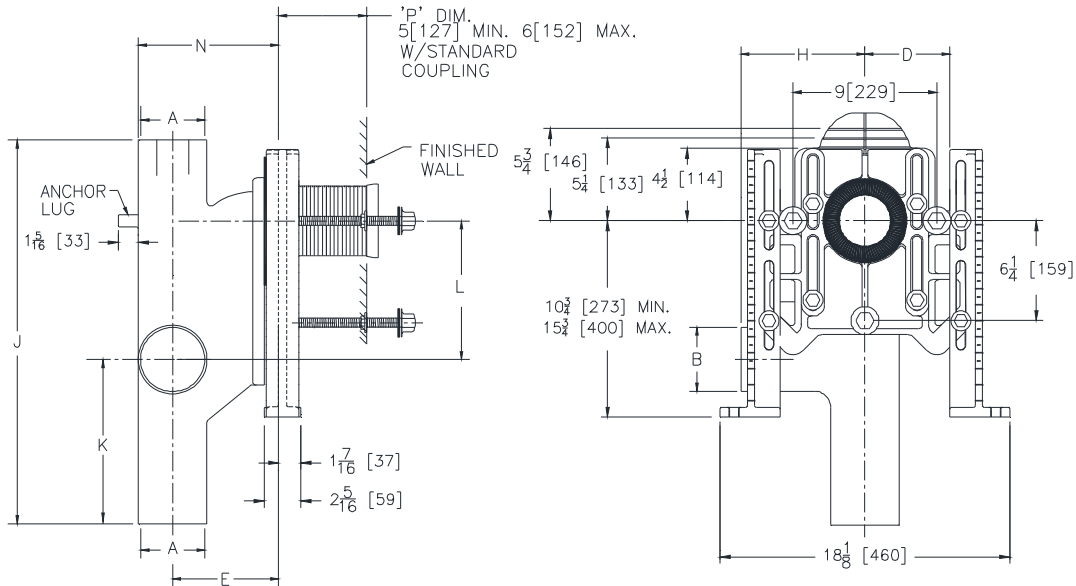
# Z1204-1N-B

## ADJUSTABLE VERTICAL BLOWOUT NO-HUB WITH SIDE INLET

SPECIFICATION SHEET

TAG \_\_\_\_\_

Dimensional Data (inches and [ mm ]) are Subject to Manufacturing Tolerances and Change Without Notice



**NOTE:**

1. Min. 'P' Dim. Obtainable = 2 [51] with cut standard coupling.
2. Feet bolted to floor using min. 1/2 [13] dia. bolts and back slots on carrier feet.
3. Back anchor feet required for secure installation.

Product No.	Dimensions in Inches [mm]							Approx. Wt. Lbs [kg]	
	A	B	D	E	H	L			N
						Min.	Max.		
Z1204-1NL-B	4 [102]	2 [51]	5 [127]	6-5/8 [168]	5-1/2 [140]	1-5/8 [41]	5-5/8 [143]	8-13/16 [224]	67 [30]
Z1204-1NR-B									

**ENGINEERING SPECIFICATION: ZURN Z1204-1N(-)B**

Adjustable, vertical blowout water closet "Rigid System" with 4" [102mm] No-Hub connections. Complete with Dura-Coated cast iron right or left hand fitting, with 2" [51mm] vent, adjustable gasketed face plate, universal floor mounted foot supports, corrosion resistant adjustable ABS coupling with integral test cap, fixture bolts, trim, stud protectors, rear anchor tie down, and bonded "Neo-Seal" gasket.

**PRODUCT/DEFINITION**

- \_\_\_\_\_ Z1204-1NL-B Hub & Spigot Stack, Single Inlet, (1) 4 [102] Right Hand Auxiliary Inlet, 2 [51] Right Hand Vent.
- \_\_\_\_\_ Z1204-1NR-B Hub & Spigot Stack, Single Inlet, (1) 4 [102] Left Hand Auxiliary Inlet, 2 [51] Right Hand Vent.

**PREFIXES**

- \_\_\_\_\_ Z D.C.C.I. System with Zurn "ZZ" Adjustable Coupling
- \_\_\_\_\_ ZQ D.C.C.I. System with Zurn "ZZ" Adjustable Coupling

**SUFFIXES**

- \_\_\_\_\_ -A Auxiliary Support Assembly (for 'P' Dim. Greater Than 18 [457])
- \_\_\_\_\_ -CC Cast Iron Coupling 6 [152] Long
- \_\_\_\_\_ -CL Coupling Length Other than Standard 6 [152] (Specify length required)
- \_\_\_\_\_ -JL 2 [51] Left Hand Auxiliary Inlet
- \_\_\_\_\_ -JR 2 [51] Right Hand Auxiliary Inlet
- \_\_\_\_\_ -M Auxiliary Foot Support (for 'P' Dim. 10 - 18 [254 - 457])
- \_\_\_\_\_ -PF Pre-Fab Foot
- \_\_\_\_\_ -PS Pre-Fab Slotted Foot
- \_\_\_\_\_ -RYK Unistrut Pre-Fab Foot
- \_\_\_\_\_ -VP Vandal Proof Trim
- \_\_\_\_\_ -X3 3 [76] Carrier Foot Extension (See Z1200-FT-EXT-3)
- \_\_\_\_\_ -X4 4 [102] Carrier Foot Extension (See Z1200-FT-EXT-4)
- \_\_\_\_\_ -45 Finishing Frame for Blowout System (See Z1200-FINFRAME-B)
- \_\_\_\_\_ -50 Flush Valve Supply Support for W.C. (See Z1200-SPLY-SPRT-WC)

\* Regularly furnished unless otherwise specified.

Zurn Industries, LLC | Specification Drainage Operation  
 1801 Pittsburgh Avenue, Erie, PA U.S.A. 16502 · Ph. 855-663-9876, Fax 814-454-7929  
 In Canada | Zurn Industries Limited  
 3544 Nashua Drive, Mississauga, Ontario L4V 1L2 · Ph. 905-405-8272, Fax 905-405-1292  
[www.zurn.com](http://www.zurn.com)

Rev. C  
 Date: 10/11/2017  
 C.N. No. 138634  
 Prod. | Dwg. No. Z1204-1N-B