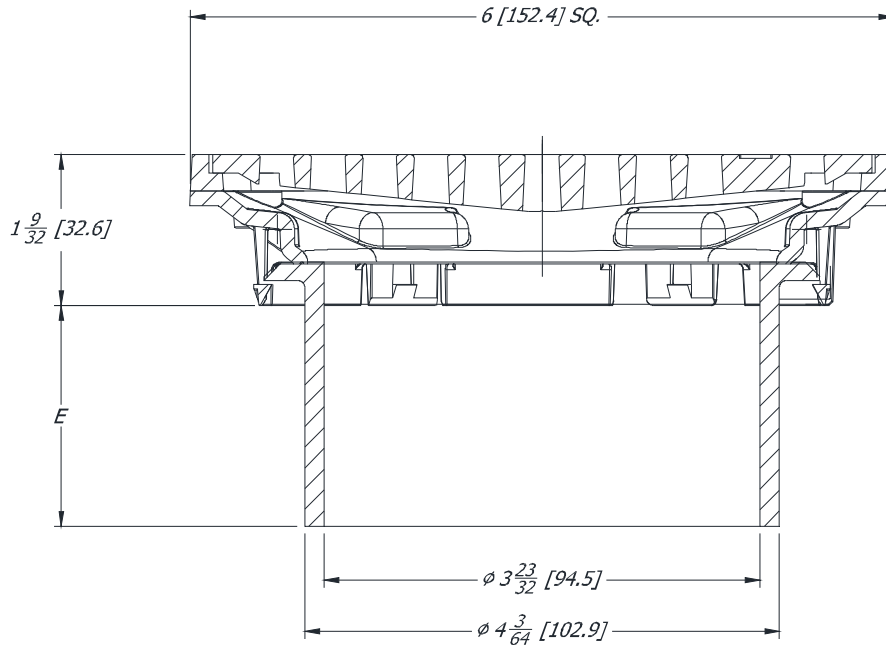




# LC-FS06SS-110

## FLOOR DRAIN FOR 110 mm PIPE

Dimensional data (inches and [mm]) are subject to manufacturing tolerances and change without notice.



Product	Mat.	'A' Connections	'E' Body Height in. [mm]	Grate Open Area Sq. In [cm <sup>2</sup> ]
LC-FS06SS-110	PVC	110 mm Solvent Weld	1-7/8 [48]	13 [84]

### PRODUCT DESCRIPTION: Zurn LC-FS06SS-110

PVC drain body, with 6" [152] square stainless steel secured light-duty top. Designed to press into 110 mm pipe for solvent weld connection

### OPTIONS:

- \_\_\_ -SR5            5 [127] Stainless Steel Round Top
- \_\_\_ -SR6            6 [152] Stainless Steel Round Top
- \_\_\_ -SS5            5 [127] Stainless Steel Square Top

\* Regularly furnished unless otherwise specified.