

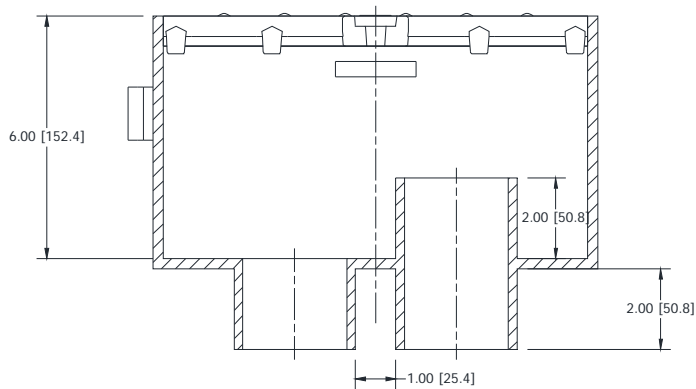
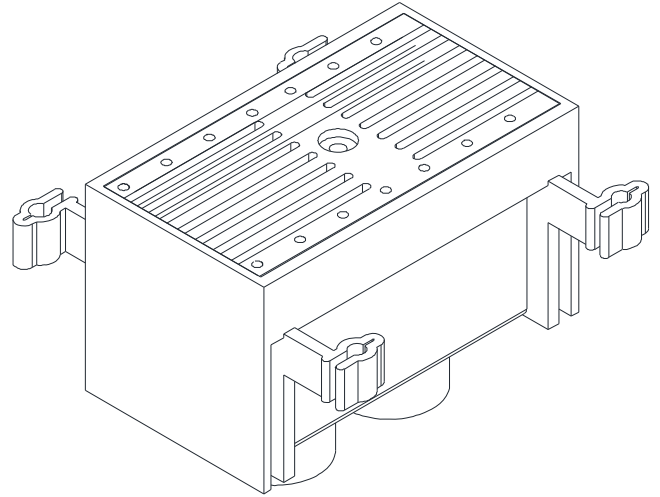
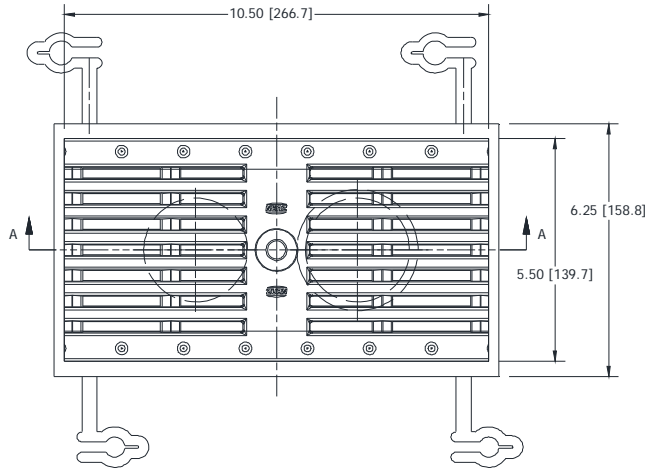


Z887-6-101
CUSTOM CATCH BASIN
W/ 3 [76] OUTLET & OVERFLOW

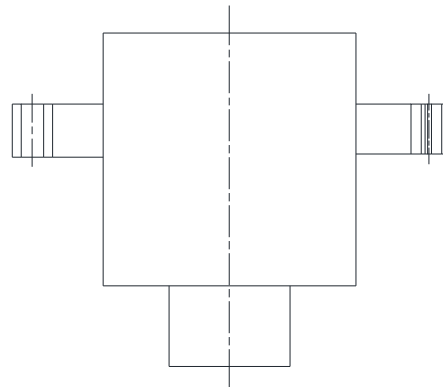
SPECIFICATION SHEET

TAG _____

Dimensional Data (inches and [mm]) are Subject to Manufacturing Tolerances and Change Without Notice



SECTION A-A
 SCALE 1 / 2



ENGINEERING SPECIFICATION: Zurn Z887-6-101

Catch Basin shall be 6-1/4" [159mm] wide reveal x 10-3/4" [273mm] long, and 6" [152mm] deep. The body shall be made of 0% water absorbent High Density Polyethylene (HDPE). Shall mechanically lock into the concrete surround a minimum of every 10" [254mm]. Catch basin shall weigh less than 17 bs. [7.7kg] per linear foot. Catch basin shall have rebar clips standard to secure basin in its final location. 3-3/8" [86mm] OD pipe is welded to bottom with 2" [52mm] stub for no-hub connection, overflow will be 2" [52mm] up from bottom.

HPP GRATE ENGINEERING SPECIFICATION: ZURN P6-HPP

20" [508mm] X 5-3/8" [137mm] High Density Polyethylene (HDPE) heel-proof slotted grate weighing .9 lbs per linear foot [1.3kg/m]. The grate has an open area of 17.4 in² per linear foot [367cm²/m]. Grate conforms to DIN rating of A, ANSI rating of Light-Duty, ADA compliant*, and Densetec 100 HDPE or Approved Equivalent.

* Regularly furnished unless otherwise specified.