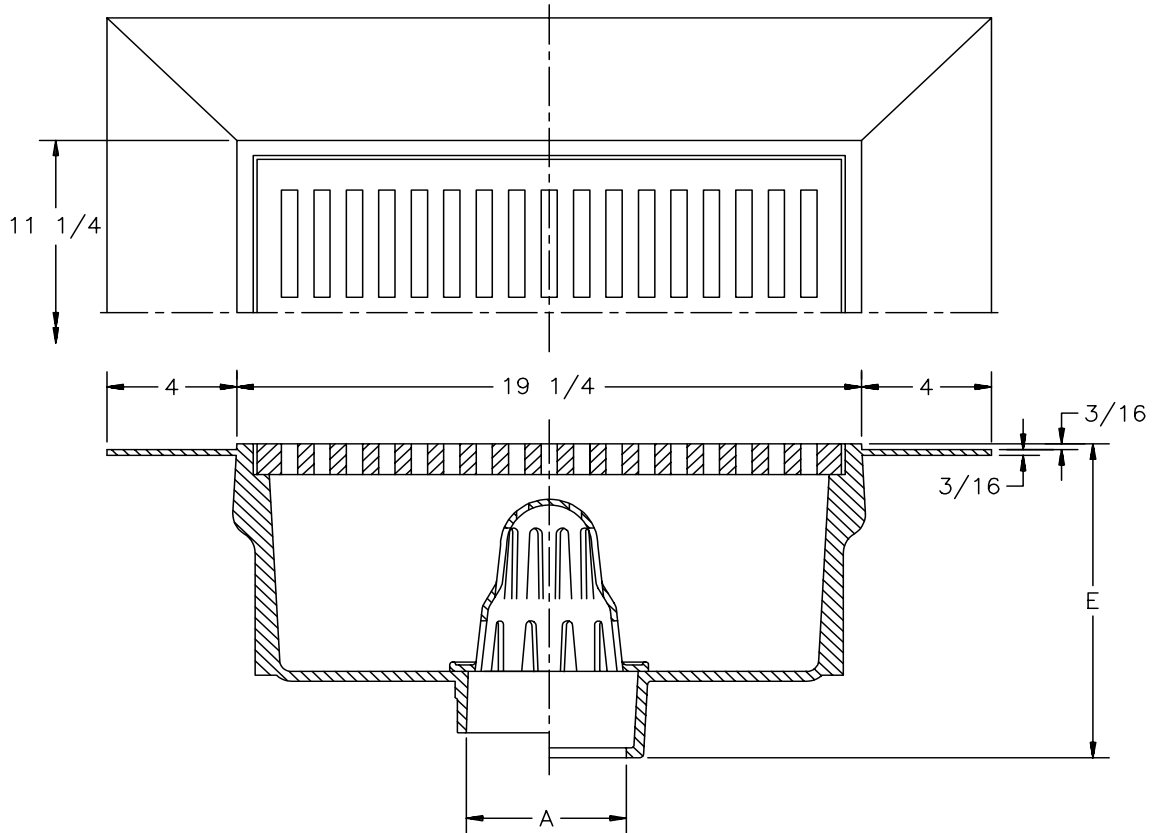




Z-668-75
11" x 9" EXTRA HEAVY
DUTY DRAIN

TAG _____

Dimensional Data (inches and [mm]) are Subject to Manufacturing Tolerances and Change Without Notice



| A- Pipe Size Inches | Approx. Wt. Lbs. | Grate Open Area Sq. In. |
|------------------------|---------------------|----------------------------|
| 4-5-6 | 115 | 60 |

ENGINEERING SPECIFICATION Z-668-75 11" X 19" Top Drain, Dura-Coated cast iron body with dex-o-tex flange and bottom outlet, less seepage pan with secondary strainer, loose extra heavy duty slotted grate.

OPTIONS (Check/specify appropriate options)

OUTLET (Specify type)

- _____ **IC** Inside Caulk
- _____ **IG** Inside Caulk w/Sealtrol Gskt.
- _____ **IP** Threaded
- _____ **NH** No-Hub
- _____ **NL** Neo-Loc

PIPE SIZE (Specify size)

- _____ 4",5",6"
- _____ 4",6"
- _____ 4",5",6"
- _____ (IP w/Z-1040-1)
- _____ 4"

'E' BODY HT. DIMENSION

- 10-1/4"
- 10-1/4"
- 8-5/8"
- 9-1/2"

PREFIXES

- _____ **Z-** D.C.C.I. Body and Grate*

SUFFIXES

- _____ **-AR** Acid Resisting Epoxy Coated Finish
- _____ **-DG** Duresist Grate
- _____ **-G** Galvanized Cast Iron
- _____ **-V** Backwater Valve (See Z-1099)
- _____ **-VP** Vandal Proof Secured Top

*REGULARLY FURNISHED UNLESS OTHERWISE SPECIFIED

| | | |
|--|----------------------|-----------------------|
| REV. | DATE: 4/29/94 | C.N. NO. 69715 |
| DWG. NO. P-13980 PRODUCT NO. Z-668-75 | | |