

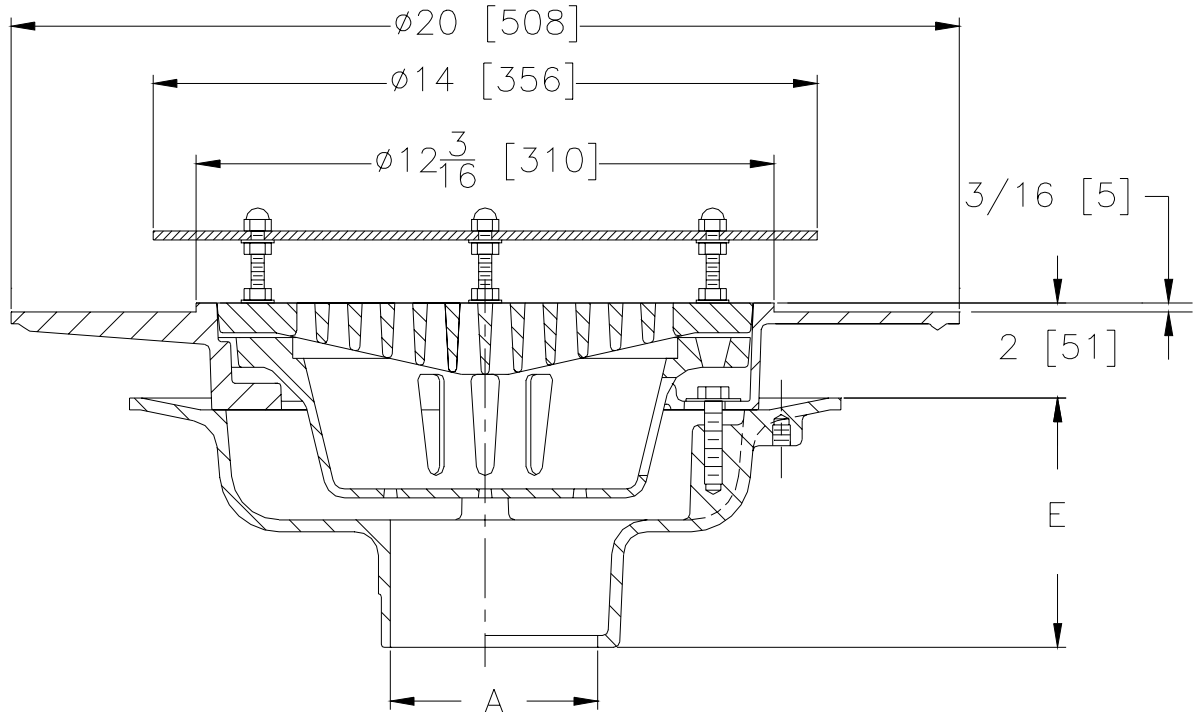


Z-532-76

12" [305] DIAMETER WIDE FLANGE FLOOR DRAIN W/ANTI-VORTEX PLATE

TAG _____

Dimensional Data (inches and [mm]) are Subject to Manufacturing Tolerances and Change Without Notice



A- Pipe Size In.	Approx. Wt. Lbs. [kg]	Grate Open Area Sq. In. [cm ²]
2-3-4-5-6 [50-75-100-125-150]	54 [24]	30 [194]
8-10 [200-250]	56 [25]	

ENGINEERING SPECIFICATION: ZURN Z-532-76 12 [305] Diameter wide flange floor drain w/Anti-Vortex plate, Dura-Coated cast iron body with bottom outlet, seepage pan and combination membrane flashing clamp and latex troweling flange with heavy duty slotted grate with suspended sediment bucket.

OPTIONS (Check/specify appropriate options)

PIPE SIZE	(Specify size/type)	OUTLET	'E' BODY HT. DIM.
2 thru 6, 8, 10 [50 thru 150, 200, 250]	_____	IC Inside Caulk	5 1/4 [133]
2 thru 6, 8, 10 [50 thru 150, 200, 250]	_____	IG Inside Caulk w/Sealtrol Gskt.	5 1/4 [133]
2 thru 6, 8, 10 [50 thru 150, 200, 250]	_____	IP Threaded	3 3/4 [95]
2 thru 6, 8, 10 [50 thru 150, 200, 250]	_____	NH No-Hub	5 1/4 [133]
2 thru 4 [50 thru 100]	_____	NL Neo-Loc	4 1/2 [114]

PREFIXES

- _____ Z- D.C.C.I. Body and Grate*
- _____ ZB- D.C.C.I. Body with Polished Bronze Grate
- _____ ZN- D.C.C.I. Body with Polished Nickel Bronze Grate

SUFFIXES

- _____ -C Underdeck Clamp
- _____ -G Galvanized Cast Iron
- _____ -LY (Less) Sediment Bucket
- _____ -TS Top Secured With Slotted Screws
- _____ -VP Vandal Proof Secured Top

REV.	DATE: 05/31/00	C.N. NO. 85241
DWG. NO. P-14785 PRODUCT NO. Z-532-76		

*REGULARLY FURNISHED UNLESS OTHERWISE SPECIFIED