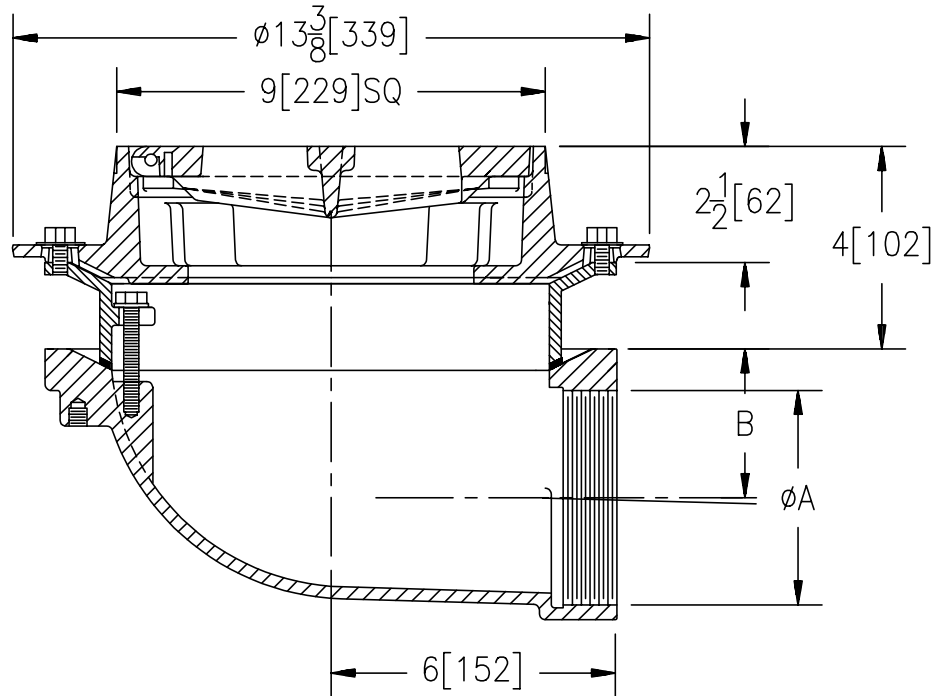




Z-609-75
9" [229] SQUARE HEAVY DUTY DRAIN

TAG _____

Dimensional Data (inches and [mm]) are Subject to Manufacturing Tolerances and Change Without Notice



A- Pipe Size In.	Approx. Wt. Lbs. [kg]	Grate Open Area Sq. In. [cm ²]
2-3-4 [50-75-100]	30 [14]	14 [90]

ENGINEERING SPECIFICATION: ZURN Z-609-75
 9 [229] Square Top Drain, Dura-Coated cast iron threaded side outlet body, 1 1/2 [38] high static extension and hinged heavy duty cast iron slotted grate .

OPTIONS (Check/specify appropriate options)

PIPE SIZE	(Specify size/type)	OUTLET	'E' BODY HT. DIM.
2 thru 4 [50 thru 100]	_____	IC Inside Caulk	3 3/4 [95]
2 thru 4 [50 thru 100]	_____	IG Inside Caulk w/Sealtrol Gskt.	3 3/4 [95]
2 thru 4 [50 thru 100]	_____	IP Threaded	2 3/4 [70]
2 thru 4 [50 thru 100]	_____	NH No-Hub	4 3/4 [121]
2 thru 4 [50 thru 100]	_____	NL Neo-Loc	3 1/2 [89]

PREFIXES

- _____ Z- D.C.C.I. Body and Grate*
- _____ ZB- D.C.C.I Body w/Polished Bronze Top (Add 3/16 [5] to 2 7/16 [62] Dim.)
- _____ ZN- D.C.C.I Body w/Polished Nickel Bronze Top (Add 3/16 [5] to 2 7/16 [62] Dim.)

SUFFIXES

- _____ -AR Acid Resistant Epoxy Coated Finish
- _____ -DG Duresist Grate
- _____ -G Galvanized Cast Iron
- _____ -GG Galvanized Grate
- _____ -HL Hinged Locking Grate
- _____ -P Trap Primer Connection
- _____ -S Secondary Strainer
- _____ -SS Stainless Steel Mesh Screen Over Dome
- _____ -TS Top Secured with Slotted Screws
- _____ -V Backwater Valve (See Z-1099)
- _____ -VP Vandal Proof Secured Top
- _____ -Y Sediment Bucket

*REGULARLY FURNISHED UNLESS OTHERWISE SPECIFIED

REV.	DATE: 11/9/95	C.N. NO. 73407
DWG. NO. P-14263 PRODUCT NO. Z-609-75		