



# Z888-12-HD-DYN

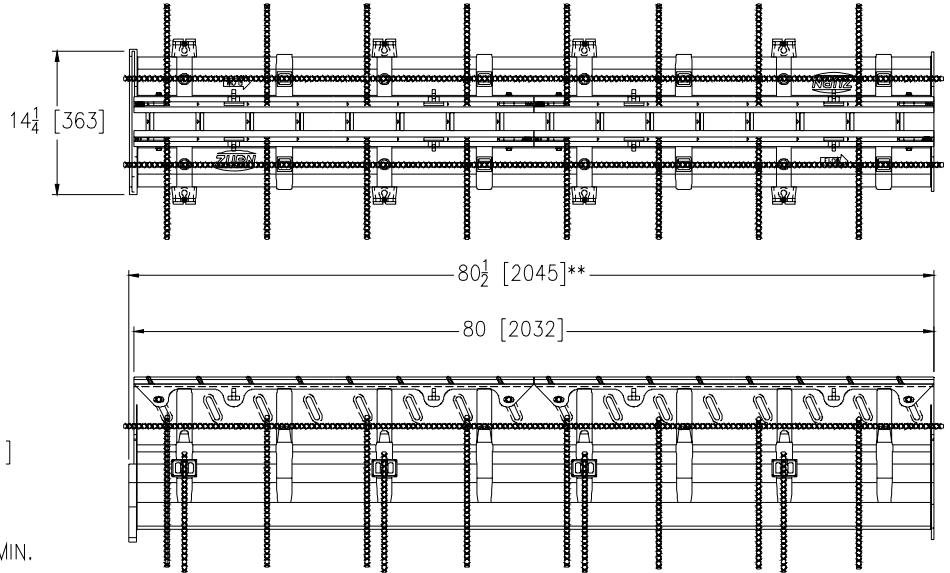
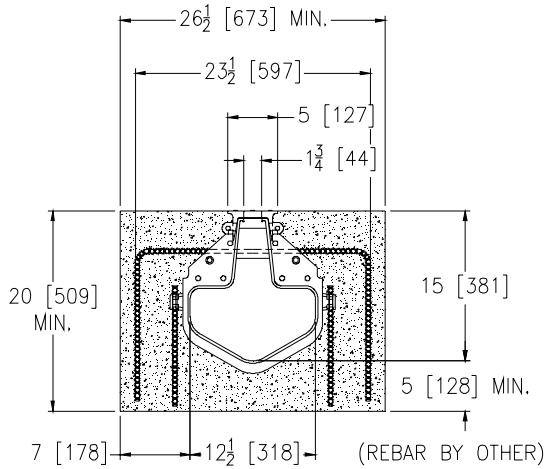
HI-CAP SLOTTED DRAINAGE SYSTEM WITH  
HEAVY-DUTY FRAME FOR DYNAMIC LOADING APPLICATION  
AND 12 [305] CORRUGATED PIPE OR EQUIVALENT

SPECIFICATION SHEET

TAG \_\_\_\_\_

Dimensional Data (inches and [ mm ]) are Subject to Manufacturing Tolerances and Change Without Notice

Specifying engineer is responsible for concrete encasement and reinforcing based upon application and local codes.



\*\* 80 1/2 [2045] LENGTH INCLUDES MALE/FEMALE JOINT OVERLAP

**ENGINEERING SPECIFICATION:** Zurn Z888-12-HD-DYN Slotted Drain channel is 80 [2032] long, 15 [381] deep invert, 12.5 [318] wide with a 1.75 [44] throat width, made from LLDPE linear Low Density Polyethylene. Channels have a mechanical tongue and groove and bolted connection, mechanically lock into the concrete surround every 5 [127] along its length, channels weigh 5.6 lbs. per foot [8.3 kg per meter]. Channel has a smooth 2.5 [64] radiused bottom with a smooth .011 Manning's coefficient, and neutral non-sloping body. Top reveal is non removable and is the finish at the surface. System is anchored into the concrete with Rebar clips or physical anchors every 5 [127] to 10 [254] along the channel body. Integral Rebar Clips are standard. The Channel has a non-removable ductile Iron Frame/Grate conforming to ASTM A536-84, Grade 80-55-06. Minimum 4000psi concrete encasement shall include "n" shaped #4 0.5 [13] rebar through the system neck every 10 [254], longitudinal #4 0.5 [13] rebar along chairs on either side of the trench neck. System is capable of Supporting Class E Loading per DIN EN1433 Top Load Classification.

## PREFIX OPTIONS

\_\_\_ Z 80 [2032] linear low density polyethylene modular drain channel with integral top frame.\*

## FRAME OPTIONS

\_\_\_ -HDG Galvanized Ductile Iron Frame with Slot

## SUFFIX OPTIONS

\_\_\_ -E1 End Cap  
 \_\_\_ -E4 4 [102] No Hub End Outlet  
 \_\_\_ -E6 6 [152] No Hub End Outlet  
 \_\_\_ -E8 8 [203] No Hub End Outlet  
 \_\_\_ -E12 12 [305] No Hub End Outlet  
 \_\_\_ -T12/18 Transition from -12 [305] to -18 [457]  
 \_\_\_ -T18/12 Transition from -18 [457] to -12 [305]

REV. C	DATE: 08/25/10	C.N. NO. 111589
DWG. NO. 64093	PRODUCT NO. Z888-12-HD-DYN	

\*Regularly Furnished Unless Otherwise Specified