

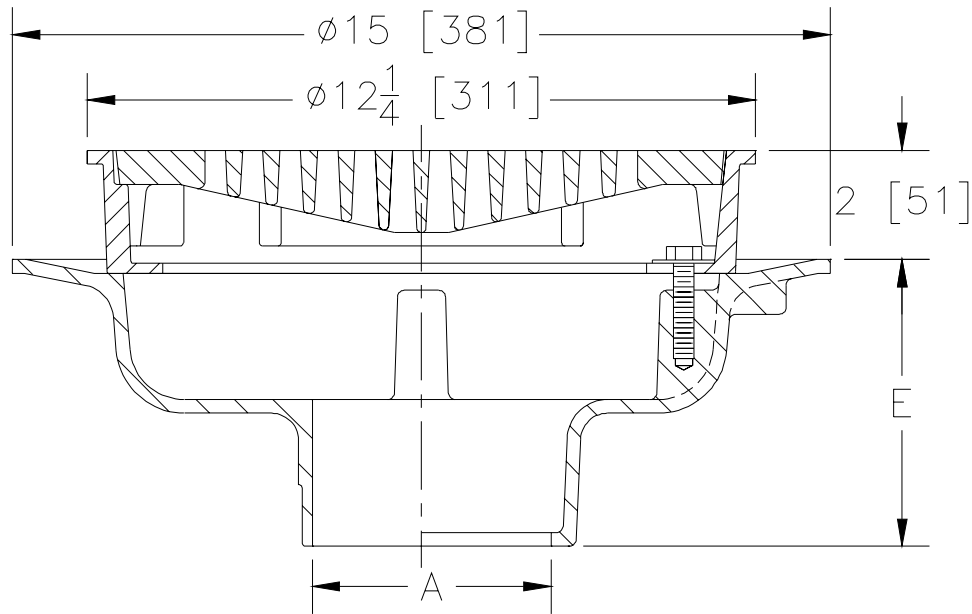


# Z505-91

## 12 [305] HEAVY DUTY DRAIN W/ STAINLESS STEEL GRATE

TAG \_\_\_\_\_

Dimensional Data (inches and [ mm ]) are Subject to Manufacturing Tolerances and Change Without Notice



A- Pipe Size In.	Approx. Wt. Lbs. [kg]	Grate Open Area Sq. In. [cm <sup>2</sup> ]
2-3-4-5-6 [50-75-100-125-150]	38 [17]	30 [194]
8-10 [200-250]	40 [18]	

**ENGINEERING SPECIFICATION:** ZURN Z505-91 12[305] Diameter top drain. Dura-Coated cast iron body with bottom outlet, seepage pan and combination membrane flashing clamp and frame for heavy duty deep flange stainless steel grate.

**OPTIONS** (Check/specify appropriate options)

**PIPE SIZE**

(Specify size/type) **OUTLET**

**'E' BODY HT. DIM.**

2 thru 6, 8, 10 [50 thru 150, 200, 250]	___ IC	Inside Caulk	5 1/4 [133]
2 thru 6, 8 [50 thru 150, 200]	___ IG	Inside Caulk w/Sealtrol Gskt.	5 1/4 [133]
2 thru 6, 8, 10 [50 thru 150, 200, 250]	___ IP	Threaded	3 3/4 [95]
2 thru 6, 8, 10 [50 thru 150, 200, 250]	___ NH	No-Hub	5 1/4 [133]
2 thru 4 [50 thru 100]	___ NL	Neo-Loc	4 5/8 [117]

**PREFIXES**

\_\_\_ Z D.C.C.I. Body and Stainless Steel Grate\*

**SUFFIXES**

- \_\_\_ -AR Acid Resisting Epoxy Coated Cast Iron
- \_\_\_ -F Extension Frame
- \_\_\_ -G Galvanized Cast Iron
- \_\_\_ -P Trap Primer Connection
- \_\_\_ -S Secondary Strainer
- \_\_\_ -SS Stainless Mesh Liner for Bucket
- \_\_\_ -TS Top Secured with Slotted Screws
- \_\_\_ -V Backwater Valve (See Z-1099)
- \_\_\_ -VP Vandal Proof Secured Top
- \_\_\_ -Y Sediment Bucket
- \_\_\_ -90 90° Threaded Side Outlet Body

REV.	DATE: 8/11/03	C.N. NO. 91167
DWG. NO. P-15001 PRODUCT NO. Z505-91		

\*REGULARLY FURNISHED UNLESS OTHERWISE SPECIFIED