

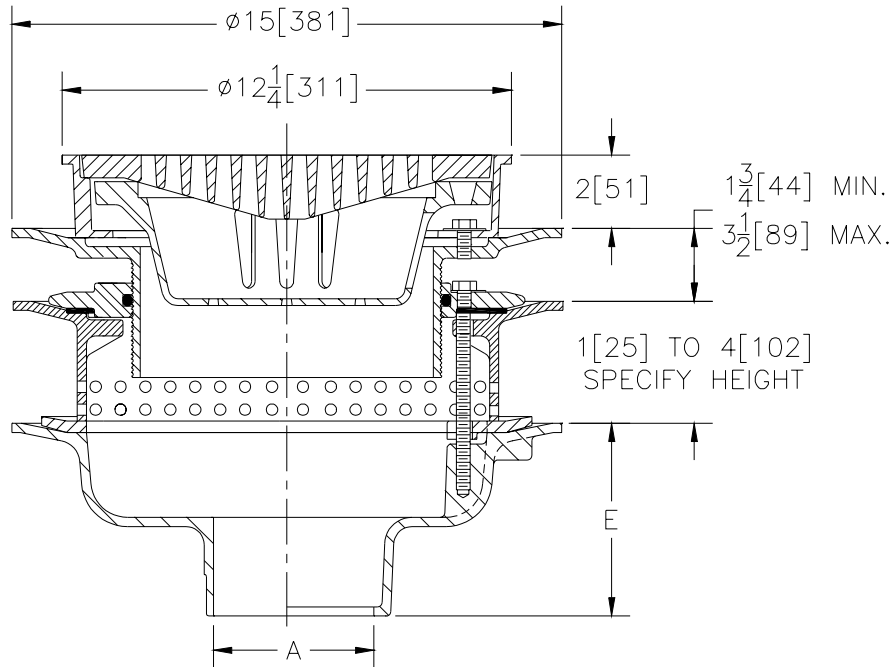


# Z-541-107

## 12" [305] DIAMETER HEAVY DUTY DRAIN

TAG \_\_\_\_\_

Dimensional Data (inches and [ mm ]) are Subject to Manufacturing Tolerances and Change Without Notice



A- Pipe Size In.	Approx. Wt. Lbs. [kg]	Grate Open Area Sq. In. [cm <sup>2</sup> ]
2-3-4-5-6 [50-75-100-125-150]	52 [24]	29 [187]
8-10 [200-250]	54 [24]	

**ENGINEERING SPECIFICATION:** ZURN Z-541-107 12 [305] Diameter top drain. Dura-Coated cast iron body with bottom outlet, seepage pan, perforated static extension, adjustable extension assembly and combination membrane flashing clamp and frame for anti-tilt heavy duty slotted grate with suspended sediment bucket.

**OPTIONS** (Check/specify appropriate options)

PIPE SIZE	(Specify size/type)	OUTLET	'E' BODY HT. DIM.
2 thru 6, 8, 10 [50 thru 150, 200, 250]	_____	IC Inside Caulk	5 1/4 [133]
2 thru 6, 8, 10 [50 thru 150, 200, 250]	_____	IG Inside Caulk w/Sealtrol Gskt.	5 1/4 [133]
2 thru 6, 8, 10 [50 thru 150, 200, 250]	_____	IP Threaded	3 3/4 [95]
2 thru 6, 8, 10 [50 thru 150, 200, 250]	_____	NH No-Hub	5 1/4 [133]
2 thru 4 [50 thru 100]	_____	NL Neo-Loc	4 5/8 [117]

**PREFIXES**

- \_\_\_\_\_ Z- D.C.C.I. Body and Grate\*
- \_\_\_\_\_ ZB- D.C.C.I. Body with Polished Bronze Grate (Add 3/16 [5] to 2 [51] Dim.)
- \_\_\_\_\_ ZN- D.C.C.I. Body with Polished Nickel Bronze Grate (Add 3/16 [5] to 2 [51] Dim.)

**SUFFIXES**

- |   |  |
|---|--|
| <ul style="list-style-type: none"> <li>_____ -DG Duresist Grate</li> <li>_____ -DX Dex-o-tex Flange (See Z-532)</li> <li>_____ -G Galvanized Cast Iron</li> <li>_____ -LY (Less) Sediment Bucket</li> <li>_____ -P Trap Primer Connection</li> <li>_____ -S Secondary Strainer</li> </ul> | <ul style="list-style-type: none"> <li>_____ -SS Stainless Mesh Liner for Bucket</li> <li>_____ -V Backwater Valve (See Z-1099)</li> <li>_____ -VP Vandal Proof Secured Top</li> <li>_____ -90 90° Threaded Side Outlet Body (2 thru 6 [50 thru 150])</li> </ul> |
|---|--|

<b>REV. A</b>	<b>DATE: 6/18/99</b>	<b>C.N. NO. 82869</b>
<b>DWG. NO. P-14301 PRODUCT NO. Z-541-107</b>		

\*REGULARLY FURNISHED UNLESS OTHERWISE SPECIFIED